

## LATE ROMAN C WARES DISCOVERED AT HISTRIA IN THE ACROPOLIS CENTRE-SOUTH SECTOR (2013 AND 2014)

Iulia ILIESCU<sup>a</sup>, Valentin BOTTEZ<sup>a</sup>, Alexandra ȚÂRLEA<sup>a</sup>, Alexandra LIȚU<sup>a</sup>, Alexandra BIVOLARU<sup>b</sup>

<sup>a</sup> University of Bucharest, Faculty of History; e-mail: [iliescu\\_iulia94@yahoo.com](mailto:iliescu_iulia94@yahoo.com), [valentin.bottez@istorie.unibuc.ro](mailto:valentin.bottez@istorie.unibuc.ro), [alex\\_tarlea@yahoo.com](mailto:alex_tarlea@yahoo.com), [alexandra.litu@istorie.unibuc.ro](mailto:alexandra.litu@istorie.unibuc.ro)

<sup>b</sup> Aix-Marseille Université; e-mail: [bivolaru@cerege.fr](mailto:bivolaru@cerege.fr)

**Keywords:** Late Antiquity, Histria, Scythia, Late Roman pottery, Oriental tableware, vasa escaria

**Abstract:** 132 pottery fragments, discovered in the first two years of archaeological research in the Acropolis Centre-South Sector (excavation coordinated by a team from the University of Bucharest), at Histria are published in this paper. This pottery lot contains ten forms with 18 types of kitchen ware. This category of artefacts offers important information concerning the ACS Sector's chronology and the economic relations of Histria (and of Scythia Minor) during the Late Roman period.

**Cuvinte-cheie:** Antichitatea târzie, Histria, Scythia, ceramică romană târzie, veselă de bucătărie orientală, vasa escaria

**Rezumat:** În acest studiu sunt publicate 132 fragmente ceramice care au fost descoperite în primii doi ani de cercetări arheologice în Sectorul Acropolă Centru-Sud (săpătură coordonată de o echipă de la Universitatea din București), la Histria. Acest lot ceramic cuprinde zece forme cu 18 tipuri de veselă de bucătărie. Această categorie de piese oferă informații importante referitoare la cronologia Sectorului Acropolă Centru-Sud și la relațiile economice ale Histriei (și ale Scythiei Minor) în perioada romană târzie.

### INTRODUCTION

The Acropolis Centre-South Sector<sup>1</sup> is located inside the Late Roman citadel, on the city's acropolis, between the Episcopal basilica (in the central part of the acropolis), the *Basilica Pârvan* Sector (in the southern part) and the *Domus* Sector (to the east). After four years of archaeological research, most of a Late Roman *insula* was uncovered, flanked to the north by the *street C*, to the east and to the west by two streets conventionally named *ST01* and *ST02*.

Regarding the sector's stratigraphy, beneath a vegetal layer (registered as context 000 in all the excavation units), were identified two layers of debris: a greyish layer (registered as context 001), representing the *insula's* moment of abandon, and a yellow-reddish layer (registered as context 002), representing the moment of destruction of the last Late Roman dwelling level. Underneath were identified the latest living surfaces (dated to the 6<sup>th</sup> c. AD) of the structures comprised by the Late Roman *insula*, generally represented by pavements and clay floors.

After processing the entire ceramic material discovered between 2013 and 2015 in the Acropolis Centre-South Sector, a batch of 457 ceramic fragments resulted, which can be included in the tableware category. More than 70% of these vessels belong to the *Late Roman C Ware* group – most of them pertaining to the *Hayes 1*, *Hayes 3* and *Hayes 10* types –, followed by the African Red Slip Ware and the Pontic Red Slip Ware. The Oriental tableware discovered in 2015 was published in a recent article<sup>2</sup>, so below we will describe the material from 2013 and 2014.

#### I.1. HAYES 1 FORM, TYPE A

**General description of the type:** the walls of the body are vertical and curved; the rim is simple, sometimes thickened.

**Analogies:** in *Scythia*, it is attested at *Halmyris*<sup>3</sup>, *Histria*<sup>4</sup>, *Telița – Valea Morilor*<sup>5</sup>, *Telița – Amza*<sup>6</sup> and *Tuzla – Far*<sup>7</sup>. For the eastern part of the Empire there are many analogies,

<sup>1</sup> For the preliminary results of this excavation, see Bottez *et alii* 2015.

<sup>2</sup> Bădescu, Iliescu 2016.

<sup>3</sup> Opaïț 1991a, p. 163, cat. no. 255, Pl. 41; Opaïț 1996, p. 136, Pl. 56/1; Topoleanu 2000, p. 44–45, cat. nos. 8–18, Pl. 1/8–9, II/10–13 (dated to the second half of the 4<sup>th</sup> c. and first half of the 5<sup>th</sup> c. AD).

<sup>4</sup> Bădescu, Iliescu 2016, p. 142–143, cat. nos. 1–34, Fig. 1/1–11, Fig. 2/1–11, Fig. 3/1–12; Suceveanu 1982b, p. 84–87, Fig. 7/2, Fig. 8/1 (dated to

the second half of the 4<sup>th</sup> c. and the first half of the 5<sup>th</sup> c. AD); Suceveanu 2007, p. 204, Pl. LXXIV/1.

<sup>5</sup> Baumann 1995, Pl. V/2–3; Opaïț 1996, p. 133, Pl. 54/1, 3.

<sup>6</sup> Baumann 1995, Pl. LXX/3; Opaïț 1996, p. 133, Pl. 54/2.

<sup>7</sup> Chiriac, Honcu 2014, p. 236, Pl. 3/4 (dated between the 4<sup>th</sup> and the 5<sup>th</sup> c. AD)

among which *Athens*<sup>8</sup>, *Saloniki*<sup>9</sup>, *Thasos*<sup>10</sup>, *Scampis*<sup>11</sup>, *Parion*<sup>12</sup>.

**Dating**<sup>13</sup>: at *Histria* they were discovered in contexts dated to the second half of the 4<sup>th</sup> and first half of the 5<sup>th</sup> c. AD.

#### CATALOGUE

1. **Plate.** Fragmentary, upper half of the profile. Uniform oxidant primary burn, fine paste, yellowish red (5YR5/6), light red (2.5YR6/6) and very pale brown (10YR7/4) slip; fine calcite particles. Dimensions<sup>14</sup>: DMG = 300 mm, DMP = 310 mm, DB = 286 mm, H = 33.5 mm, GrM = 6 mm. *Histria* 2013, the ACS Sector, context 1002, no. 264, Pl. I/1.
2. **Plate.** Fragmentary, upper half of the profile. Uniform oxidant primary burn, very fine paste, yellowish red (5YR5/6), red (2.5YR5/8) slip; very fine calcite and iron oxide particles. Dimensions: DMG = 250 mm, DMP = 275 mm, DB = 250 mm, H = 45 mm, GrM = 7.5 mm. *Histria* 2014, the ACS Sector, context 11000, package 201, no. 367, Pl. I/2.
3. **Plate.** Fragmentary, upper half of the profile. Uniform oxidant primary burn, fine paste, pale brown (10YR6/3), red (2.5YR5/8) slip on the outer surface and dark grey (10YR4/1) on the inner one; very fine mica particles. Dimensions: DMG = 260 mm, DMP = 269 mm, DB = 258 mm, H = 32 mm, GrM = 9 mm. *Histria* 2013, the ACS Sector, context 3000, package 248, no. 205, Pl. I/3.
4. **Plate.** Fragmentary, rim. Uniform oxidant primary burn, very fine paste, reddish yellow (5YR5/6), red (2.5YR5/6) and weak red (2.5YR4/2) slip; very fine calcite particles. Dimensions: DMG = 300 mm, DMP = 309 mm, DB = 287 mm, H = 26.5 mm, GrM = 10 mm. *Histria* 2014, the ACS Sector, context 9002, package 110, no. 316, Pl. I/4.
5. **Plate.** Fragmentary, upper half of the profile. Uniform reluctant primary burn, fine paste, grey (5Y5/1), very dark grey (GLE1 3/N) slip; very fine mica and fine calcite particles. Dimensions: DMG = 230 mm, DMP = 248 mm, DB = 229 mm, H = 24 mm, GrM = 9.5 mm. *Histria* 2014, the ACS Sector, context 13000, package 134, no. 417, Pl. I/5.
6. **Plate.** Fragmentary, upper half of the profile. Uneven oxidant primary burn, fine paste, reddish yellow (5YR5/4), greyish brown (10YR5/2) interior, reddish brown (5YR5/4) and very dark grey (7.5YR3/1) slip; fine and medium calcite and iron oxide particles. Dimensions: DMG = 210 mm, DMP = 230 mm, DB = 214 mm, H = 33 mm, GrM = 11 mm. *Histria* 2014, the ACS Sector, context 8001, package 49, no. 381, Pl. I/6.
7. **Plate.** Fragmentary, upper half of the profile. Uneven oxidant primary burn, fine paste, reddish brown (5YR5/3), red (2.5YR4/8) interior, red (2.5YR4/6) slip; very fine and fine calcite and mica particles. Dimensions: DMG = 200 mm, DMP = 218 mm, DB = 199 mm, H = 31 mm, GrM = 6 mm. *Histria* 2014, the ACS Sector, context 12001, package 186, no. 305, Pl. I/7.
8. **Plate.** Fragmentary, upper half of the profile. Uniform oxidant primary burn, fine paste, yellowish red (5YR5/6), red (2.5YR5/68) slip; very fine calcite particles. Dimensions: DMG = 210 mm, DMP = 215 mm, DB = 214 mm, H = 33 mm, GrM = 6 mm. *Histria* 2014, the ACS Sector, context 10001, package 268, no. 282, Pl. I/8.
9. **Plate.** Fragmentary, upper half of the profile. Uneven oxidant primary burn, fine paste, red (2.5YR5/6), reddish brown (5YR5/4)

interior; very fine mica particles, very fine, fine and medium calcite particles. Dimensions: DMG = 200 mm, DMP = 218 mm, DB = 209 mm, H = 27.5 mm, GrM = 12 mm. *Histria* 2013, the ACS Sector, context 2001, no. 237, Pl. I/9.

10. **Plate.** Fragmentary, upper half of the profile. Uniform oxidant primary burn, semi-fine paste, red (2.5YR5/6), slip of the same color; very fine, fine and big calcite particles. Dimensions: DMG = 200 mm, DMP = 211 mm, DB = 194 mm, H = 25 mm, GrM = 5 mm. *Histria* 2014, the ACS Sector, context 7004, package 5, no. 357, Pl. I/10.
11. **Plate.** Fragmentary, rim. Uneven oxidant primary burn, fine paste, red (2.5YR5/8), dark grey (5YR4/1) interior, very dark grey (10YR3/1) slip; very fine mica particles, very fine and fine calcite particles. Dimensions: DMG = 210 mm, DMP = 220 mm, DB = 214 mm, H = 21 mm, GrM = 5 mm. *Histria* 2014, the ACS Sector, context 16001, package 292, no. 437, Pl. II/1.
12. **Plate.** Fragmentary, upper half of the profile. Uniform oxidant primary burn, fine paste, yellowish red (5YR5/6), red (2.5YR5/6) slip; very fine mica particles, fine and medium calcite and iron oxide particles. Dimensions: DMG = 200 mm, DMP = 208 mm, DB = 198 mm, H = 27 mm, GrM = 5 mm. *Histria* 2013, the ACS Sector, context 3000, package 248, no. 203, Pl. II/2.
13. **Plate.** Fragmentary, upper half of the profile. Uniform oxidant primary burn, fine paste, yellowish red (5YR5/6), red (2.5YR5/6) slip; medium iron oxide particles. Dimensions: DMG = 200 mm, DMP = 210 mm, DB = 178 mm, H = 37 mm, GrM = 5 mm. *Histria* 2013, the ACS Sector, context 3002, package 280, no. 229, Pl. II/3.
14. **Plate.** Fragmentary, lower half of the profile. Uniform oxidant primary burn, fine paste, red (2.5YR5/6), red (2.5YR4/8) slip; very fine, fine, medium and big calcite particles. Dimensions: DP = 130 mm, DMP = 204 mm, H = 22.5 mm, GrM = 11 mm. *Histria* 2014, the ACS Sector, context 10000, package 10, no. 324, Pl. II/4.
15. **Plate.** Fragmentary, upper half of the profile. Uniform oxidant primary burn, very fine paste, red (2.5YR5/6), light red (2.5YR6/6) slip; very fine mica particles, fine and medium calcite and iron oxide particles. Dimensions: DMG = 190 mm, DMP = 206 mm, DB = 195 mm, H = 30 mm, GrM = 6 mm. *Histria* 2013, the ACS Sector, context 1002, no. 263, Pl. II/5.
16. **Plate.** Fragmentary, lower half of the profile. Uniform oxidant primary burn, very fine paste, red (2.5YR5/6), slip of the same color; very fine mica particles, fine and medium calcite and iron oxide particles. Dimensions: DP = 90 mm, DMP = 190 mm, H = 33 mm, GrM = 12 mm. *Histria* 2014, the ACS Sector, context 7002, package 6, no. 362, Pl. II/6.
17. **Plate.** Fragmentary, upper half of the profile. Uniform oxidant primary burn, very fine paste, reddish yellow (7.5YR6/6), red (2.5YR5/6) slip; very fine iron oxide particles. Dimensions: DMG = 180 mm, DMP = 190 mm, DB = 172 mm, H = 30 mm, GrM = 5 mm. *Histria* 2014, the ACS Sector, context 8001, package 36, no. 382, Pl. II/7.
18. **Plate.** Fragmentary, upper half of the profile. Uniform oxidant primary burn, fine paste, very pale brown (10YR7/4), brown (7.5YR4/4) slip; very fine iron oxide particles. Dimensions: DMG = 180 mm, DMP = 188 mm, DB = 179 mm, H = 22.5 mm, GrM = 3 mm. *Histria* 2014, the ACS Sector, context 10001, package 78, no. 275, Pl. II/8.
19. **Plate.** Fragmentary, upper half of the profile. Uneven oxidant primary burn, semi-fine paste, very pale brown (10YR7/4), reddish yellow (5YR5/6) interior, very pale brown (10YR7/4) and reddish brown (2.5YR4/4) slip; fine and big calcite and iron oxide particles.

<sup>8</sup> Atlante I, p. 232, tav. CXI/1, 4–5; Hayes 1972, p. 325, Fig. 65, Form 1, type A, nos. 1–2, p. 326, type A, nos. 1–2 (dated between the end of the 4<sup>th</sup> c. and the beginning of the 5<sup>th</sup> c. AD).

<sup>9</sup> Hayes 1972, p. 325, Fig. 65, Form 1, type A, nos. 1–2, p. 326, type A, no. 3 (dated between the end of the 4<sup>th</sup> c. and the beginning of the 5<sup>th</sup> c. AD).

<sup>10</sup> Abadie-Reynal, Sodini 1992, p. 18, Form CF 53, CF 55, Pl. 3 (dated between the end of the 4<sup>th</sup> c. and the beginning of the 5<sup>th</sup> c. AD).

<sup>11</sup> Shkodra-Rrugia 2016, p. 668, Fig. 5.

<sup>12</sup> Başaran, Ergürer 2012, p. 270–271, cat. nos. 8, 10–11, Fig. 7/8, 10–11; Ergürer 2013, p. 147, Resim 195.

<sup>13</sup> See notes 3–4 and 7–10.

<sup>14</sup> Abbreviations used in the text: ACS = Acropolis Centre-South Sector; DB = basis diameter; DP = diameter of the foot; DMG = maximum mouth diameter; DMP = maximum preserved diameter; GrM = maximum breadth; H = preserved height of the ceramic fragment.

Dimensions: DMG = 170 mm, DMP = 182 mm, DB = 150 mm, H = 34.5 mm, GrM = 10 mm. Histria 2013, the ACS Sector, context 3002, package 280, no. 230, Pl. II/9.

20. **Plate.** Fragmentary, rim. Uniform reductant primary burn, fine paste, grey (GLE1 5/N), brown (7.5YR5/3) slip; very fine mica particles, fine and medium calcite particles. Dimensions: DMG = 180 mm, DMP = 186 mm, DB = 180 mm, H = 20 mm, GrM = 7 mm. Histria 2013, the ACS Sector, context 3000, package 248, no. 204, Pl. II/10.
21. **Plate.** Fragmentary, upper half of the profile. Uniform oxidant primary burn, very fine paste, pale brown (10YR6/3), yellowish red (5YR4/6) slip; very fine calcite and iron oxide particles. Dimensions: DMG = 160 mm, DMP = 174 mm, DB = 168 mm, H = 24 mm, GrM = 5 mm. Histria 2014, the ACS Sector, context 10000, package 27, no. 313, Pl. II/11.
22. **Plate.** Fragmentary, upper half of the profile. Uniform oxidant primary burn, fine paste, reddish yellow (5YR6/6), red (2.5YR5/8 and 2.5YR4/6) slip on the outer surface and reddish brown (2.5YR5/4) on the inner one; very fine calcite, mica and iron oxide particles. Dimensions: DMG = 160 mm, DMP = 170 mm, DB = 164 mm, H = 24 mm, GrM = 5 mm. Histria 2014, the ACS Sector, context 5002, package 109, no. 336, Pl. III/1.
23. **Plate.** Fragmentary, upper half of the profile. Uniform oxidant primary burn, fine paste, light yellowish brown (10YR6/4); very fine mica particles, fine iron oxide particles. Dimensions: DMG = 160 mm, DMP = 178 mm, DB = 170 mm, H = 29 mm, GrM = 6 mm. Histria 2014, the ACS Sector, context 9001, package 96, no. 411, Pl. III/2.
24. **Plate.** Fragmentary, upper half of the profile. Uneven oxidant primary burn, very fine paste, yellowish red (5YR5/6), reddish brown (5YR5/3) interior, reddish brown (5YR4/4) and dark reddish brown (5YR3/2) slip; very fine mica and calcite particles. Dimensions: DMG = 160 mm, DMP = 169 mm, DB = 142 mm, H = 40 mm, GrM = 6 mm. Histria 2014, the ACS Sector, context 10001, package 51, no. 285, Pl. III/3.
25. **Plate.** Fragmentary, upper half of the profile. Uniform oxidant primary burn, fine paste, red (2.5YR4/8), red (2.5YR5/6) and dark reddish grey (2.5YR3/1) slip on the outer surface and red (2.5YR5/6) on the inner one; very fine mica particles, fine, medium and big calcite and iron oxide particles. Dimensions: DMG = 150 mm, DMP = 157 mm, DB = 147 mm, H = 26.5 mm, GrM = 5 mm. Histria 2013, the ACS Sector, context 4001, package 222, no. 219, Pl. III/4.
26. **Plate.** Fragmentary, lower half of the profile. Uniform oxidant primary burn, fine paste, light brown (7.5YR6/4), red (2.5YR4/6) slip; very fine, fine, medium and big calcite particles. Dimensions: DP = 90 mm, DMP = 169 mm, H = 27 mm, GrM = 16 mm. Histria 2014, the ACS Sector, context 18000, package 294, no. 426, Pl. III/5.
27. **Plate.** Fragmentary, upper half of the profile. Uneven oxidant primary burn, fine paste, light red (2.5YR6/6), reddish yellow (5YR6/6) interior, red (2.5YR5/6) slip; very fine calcite particles. Dimensions: DMG = 150 mm, DMP = 166 mm, DB = 162 mm, H = 26 mm, GrM = 6 mm. Histria 2014, the ACS Sector, context 8001, package 8, no. 377, Pl. III/6.
28. **Plate.** Fragmentary, upper half of the profile. Uniform oxidant primary burn, fine paste, brown (10YR5/3), brown (7.5YR5/4) slip; fine calcite particles. Dimensions: DMG = 150 mm, DMP = 166 mm, DB = 160 mm, H = 22.5 mm, GrM = 7 mm. Histria 2013, the ACS Sector, context 3004, package 319, no. 232, Pl. III/7.
29. **Plate.** Fragmentary, rim. Uneven oxidant primary burn, very fine paste, reddish yellow (7.5YR6/6), reddish yellow (5YR6/6) interior, reddish brown (2.5YR4/4) and red (2.5YR4/6) slip; very fine mica particles, very fine and fine calcite particles. Dimensions: DMG = 150 mm, DMP = 159 mm, DB = 154 mm, H = 16 mm, GrM = 7 mm. Histria 2014, the ACS Sector, context 5002, package 75, no. 344, Pl. III/8.
30. **Plate.** Fragmentary, upper half of the profile. Uniform oxidant primary burn, fine paste, pale yellow (2.5Y7/3); very fine mica particles, very fine and fine iron oxide particles. Dimensions: DMG = 150 mm, DMP = 161 mm, DB = 154 mm, H = 27 mm, GrM = 7 mm. Histria 2014, the ACS Sector, context 9001, package 131, no. 412, Pl. III/9.
31. **Plate.** Fragmentary, upper half of the profile. Uneven oxidant primary burn, very fine paste, yellowish red (5YR5/6), red (2.5YR5/8) interior, yellowish red (5YR5/6) and red (2.5YR5/6) slip; very fine calcite particles. Dimensions: DMG = 140 mm, DMP = 152 mm, DB = 144 mm, H = 24 mm, GrM = 5 mm. Histria 2014, the ACS Sector, context 15002, package 411, no. 363, Pl. III/10.
32. **Plate.** Fragmentary, lower part of the profile. Uniform oxidant primary burn, fine paste, light reddish brown (5YR6/4), red (2.5YR5/6) slip on the outer surface and red (2.5YR4/6) on the inner one; very fine, fine and medium calcite particles. Dimensions: DP = 100 mm, DMP = 157 mm, H = 25 mm, GrM = 14 mm. Histria, 2013, the ACS Sector, context 1000, no. 241, Pl. III/11.
33. **Plate.** Fragmentary, upper half of the profile. Uniform oxidant primary burn, very fine paste, yellowish red (5YR5/8), red (2.5YR5/8) slip; very fine calcite particles. Dimensions: DMG = 140 mm, DMP = 148 mm, DB = 134 mm, H = 21 mm, GrM = 4 mm. Histria 2014, the ACS Sector, context 9002/10002, package 233, no. 634, Pl. IV/1.
34. **Plate.** Fragmentary, rim. Uneven oxidant primary burn, fine paste, red (2.5YR5/8), dark grey (2.5Y4/1) interior, red (2.5YR5/8) slip; very fine mica particles, medium calcite particles. Dimensions: DMG = 130 mm, DMP = 138 mm, DB = 133 mm, H = 23 mm, GrM = 4 mm. Histria 2014, the ACS Sector, context 8001, package 8, no. 374, Pl. IV/2.
35. **Plate.** Fragmentary, upper half of the profile. Uneven reductant primary burn, fine paste, very dark grey (2.5Y3/1), dark greyish brown (10YR4/2) interior, very dark grey (GLE1 3/N) slip; very fine, fine and medium calcite particles, fine mica particles. Dimensions: DMG = 120 mm, DMP = 136 mm, DB = 129 mm, H = 16 mm, GrM = 5 mm. Histria 2014, the ACS Sector, context 5002, package 48, no. 332, Pl. IV/3.
36. **Plate.** Fragmentary, upper half of the profile. Uniform oxidant primary burn, fine paste, reddish yellow (5YR6/6), red (2.5YR5/6) slip; very fine calcite and mica particles. Dimensions: DMG = 120 mm, DMP = 126 mm, DB = 125 mm, H = 25 mm, GrM = 6 mm. Histria 2014, the ACS Sector, context 9001, package 50, no. 409, Pl. IV/4.
37. **Plate.** Fragmentary, upper half of the profile. Uneven oxidant primary burn, fine paste, pink (7.5YR7/4), light red (2.5YR7/6) interior, weak red (2.5YR4/2) slip on the outer surface and red (2.5YR5/6) on the inner one; very fine mica particles, very fine, fine and medium calcite particles. Dimensions: DMG = 110 mm, DMP = 122 mm, DB = 116 mm, H = 20 mm, GrM = 6 mm. Histria 2014, the ACS Sector, context 6004, package 48, no. 435, Pl. IV/5.
38. **Plate.** Fragmentary, upper half of the profile. Uniform oxidant primary burn, semi-fine paste, yellowish red (5YR5/6), reddish brown (2.5YR4/4) slip on the inner surface; very fine and fine calcite particles, big iron oxide particles. Dimensions: DMG = 110 mm, DMP = 117 mm, DB = 105 mm, H = 25 mm, GrM = 5 mm. Histria 2014, the ACS Sector, context 9002/10002, package 233, no. 433, Pl. IV/6.
39. **Plate.** Fragmentary, rim. Uneven reductant primary burn, very fine paste, brown (7.5YR5/4), very dark grey (GLE1 3/N) interior, brown (7.5YR5/4) slip; very fine and fine calcite and mica particles. Dimensions: DMG = 100 mm, DMP = 112 mm, DB = 108 mm, H = 15 mm, GrM = 4 mm. Histria 2014, the ACS Sector, context 5002, package 412, no. 334, Pl. IV/7.
40. **Plate.** Fragmentary, rim. Uniform oxidant primary burn, semi-fine paste, light yellowish brown (10YR6/4), grey (10YR5/1) slip on the outer surface and reddish brown (2.5YR4/4) on the inner one; very fine calcite particles. Dimensions: DMG = 100 mm, DMP = 110 mm, DB = 105 mm, H = 19 mm, GrM = 4 mm. Histria 2014, the ACS Sector, context 14001, package 255, no. 399, Pl. IV/8.

## I.2. HAYES 1 FORM, TYPE B

**General description of the type:** similar to the previous, with a sharper angle between the rim and the body on the inside.

**Analogies:** in *Scythia*, it is attested at *Halmyris*<sup>15</sup>, *Histria*<sup>16</sup> and *(L)ibida*<sup>17</sup>. This type of pottery is also attested at *Saloniki*, *Abu Mena*<sup>18</sup>, *Thasos*<sup>19</sup>, *Scodra*, *Hadrianopolis*, *Buthrotum*<sup>20</sup> and *Parion*<sup>21</sup>.

**Dating**<sup>22</sup>: at *Histria*, they were discovered in contexts dated to the second half of the 5<sup>th</sup> c. AD.

### CATALOGUE

41. **Plate.** Fragmentary, upper half of the profile. Uneven oxidant primary burn, fine paste, red (2.5YR4/6), red (2.5YR5/8) interior, red (2.5YR4/6) slip on the outer surface and red (2.5YR5/8) on the inner one; very fine mica particles, fine and medium calcite particles, fine, big and very big iron oxide particles. Dimensions: DMG = 250 mm, DMP = 262 mm, DB = 244 mm, H = 37 mm, GrM = 9 mm. *Histria* 2013, the ACS Sector, context 7000, no. 216, Pl. IV/9.
42. **Plate.** Fragmentary, upper half of the profile. Uniform oxidant primary burn, fine paste, reddish yellow (5YR6/6), red (2.5YR5/6) slip; very fine calcite and mica particles. Dimensions: DMG = 220 mm, DMP = 224 mm, DB = 208 mm, H = 27 mm, GrM = 7 mm. *Histria* 2014, the ACS Sector, context 10000, package 10, no. 321, Pl. IV/10.
43. **Plate.** Fragmentary, upper half of the profile. Uniform oxidant primary burn, fine paste, light brownish grey (2.5Y6/2), very dark grey (GLE1 3/N); very fine and fine calcite particles. Dimensions: DMG = 210 mm, DMP = 226 mm, DB = 223 mm, H = 27 mm, GrM = 7 mm. *Histria* 2013, the ACS Sector, context 6001, no. 224, Pl. IV/11.
44. **Plate.** Fragmentary, upper half of the profile. Uniform oxidant primary burn, semi-fine paste, yellowish red (5YR5/6), red (2.5YR4/6) slip; very fine and fine calcite and mica particles. Dimensions: DMG = 200 mm, DMP = 211 mm, DB = 202 mm, H = 29 mm, GrM = 7 mm. *Histria* 2014, the ACS Sector, context 8001, package 38, no. 378, Pl. IV/12.
45. **Plate.** Fragmentary, rim. Uneven oxidant primary burn, very fine paste, reddish yellow (5YR6/6), brown (10YR5/3) interior, brown (7.5YR4/2) slip; very fine and fine calcite particles, medium iron oxide particles. Dimensions: DMG = 20 mm, DMP = 214 mm, DB = 209 mm, H = 23 mm, GrM = 6.5 mm. *Histria* 2014, the ACS Sector, context 8001, package 46, no. 376, Pl. V/1.
46. **Plate.** Fragmentary, upper half of the profile. Uniform oxidant primary burn, fine paste, reddish brown (5YR5/4), red (2.5YR4/8) slip on the outer surface and dark reddish brown (5YR3/2) on the inner one; very fine and fine calcite particles. Dimensions: DMG = 200 mm, DMP = 207 mm, DB = 200 mm, H = 32 mm, GrM = 8 mm. *Histria* 2013, the ACS Sector, context 1002, no. 262, Pl. V/2.
47. **Plate.** Fragmentary, upper half of the profile. Uneven oxidant primary burn, fine paste, light yellowish brown (10YR6/4), dark grey (10YR4/1) interior; very fine mica particles. Dimensions: DMG = 200 mm, DMP = 208 mm, DB = 165 mm, H = 35 mm, GrM = 6.5 mm. *Histria* 2014, the ACS Sector, context 10001, package 58, no. 278, Pl. V/3.
48. **Plate.** Fragmentary, upper half of the profile. Uniform oxidant primary burn, semi-fine paste, yellowish red (5YR5/6), red (2.5YR4/8) slip; fine calcite and iron oxide particles. Dimensions: DMG = 170 mm, DMP = 177 mm, DB = 98 mm, H = 47 mm, GrM = 9 mm. *Histria* 2013, the ACS Sector, context 4001, package 222, no. 220, Pl. V/4.
49. **Plate.** Fragmentary, upper half of the profile. Uniform oxidant primary burn, very fine paste, reddish yellow (5YR6/6), reddish yellow (7.5YR6/6) slip on the outer surface and yellowish red (5YR5/6) on the inner one; very fine mica, calcite and iron oxide particles. Dimensions: DMG = 140 mm, DMP = 154 mm, DB = 146 mm, H = 32.5 mm, GrM = 7 mm. *Histria* 2014, the ACS Sector, context 12001, package 185, no. 307, Pl. V/5.
50. **Plate.** Fragmentary, rim. Uniform oxidant primary burn, very fine paste, red (2.5YR5/8), slip of the same color; very fine mica and iron oxide particles. Dimensions: DMG = 150 mm, DMP = 160 mm, DB = 154 mm, H = 23 mm, GrM = 5 mm. *Histria* 2014, the ACS Sector, context 5002, package 48, no. 333, Pl. V/6.
51. **Plate.** Fragmentary, rim. Uniform oxidant primary burn, fine paste, yellowish red (5YR5/6), reddish brown (5YR5/5). Dimensions: DMG = 150 mm, DMP = 158 mm, DB = 156 mm, H = 22 mm, GrM = 5 mm. *Histria* 2014, the ACS Sector, context 14001, package 270, no. 400, Pl. V/7.
52. **Plate.** Fragmentary, rim. Uniform oxidant primary burn, fine paste, yellowish red (5YR5/8), red (2.5YR5/8) slip; very fine calcite and mica particles, fine and medium iron oxide particles. Dimensions: DMG = 150 mm, DMP = 154 mm, DB = 152 mm, H = 16 mm, GrM = 6 mm. *Histria* 2014, the ACS Sector, context 9000, package 9, no. 418, Pl. V/8.
53. **Plate.** Fragmentary, upper half of the profile. Uneven oxidant primary burn, fine paste, dark grey (10YR4/1), yellowish red (5YR5/6) interior, reddish brown (5YR5/3) slip; very fine mica particles, fine, medium and big calcite particles. Dimensions: DMG = 140 mm, DMP = 147 mm, DB = 140 mm, H = 31 mm, GrM = 5 mm. *Histria* 2014, the ACS Sector, context 5002, package 48, no. 339, Pl. V/9.
54. **Plate.** Fragmentary, upper half of the profile. Uniform oxidant primary burn, fine paste, yellowish red (5YR5/6), red (2.5YR5/6) slip; very fine mica and iron oxide particles, fine and medium calcite particles. *Histria* 2014, the ACS Sector, context 13001, package 168, no. 292, Pl. V/10.
55. **Plate.** Fragmentary, upper half of the profile. Uniform oxidant primary burn, very fine paste, red (2.5YR5/8), slip of the same color. Dimensions: DMG = 110 mm, DMP = 114 mm, DB = 114 mm, H = 23 mm, GrM = 5 mm. *Histria* 2013, the ACS Sector, context 6001, no. 244, Pl. VI/1.
56. **Plate.** Fragmentary, upper half of the profile. Uneven oxidant primary burn, fine paste, light brown (7.5YR6/4), light reddish brown (5YR6/4), dark greyish brown (10YR4/2) slip on the outer surface and red (2.5YR4/6) on the inner one; very fine and fine mica and iron oxide particles. Dimensions: DMG = 100 mm, DMP = 106 mm, DB = 100 mm, H = 20 mm, GrM = 4 mm. *Histria* 2014, the ACS Sector, context 9001, package 60, no. 407, Pl. VI/2.

<sup>15</sup> Opaïț 1991a, p. 163, cat. no. 256, Pl. 41; Opaïț 1996, p. 136, Pl. 56/1; Topoleanu 2000, p. 44–45, cat. nos. 8–18, Pl. 1/8–9, Pl. 2/10–13 (dated to the second half of the 5<sup>th</sup> c. AD).

<sup>16</sup> Bădescu, Iliescu 2016, p. 143–144, cat. nos. 35–41, Fig. 3/13, Fig. 4/1–6; Suceveanu 1982b, p. 84–87, Fig. 7/1–2, Fig. 8/1 (dated to the 5<sup>th</sup> c. AD); Suceveanu 2007, p. 204, Pl. LXXIV/1.

<sup>17</sup> Mocanu 2011, p. 232, cat. no. 10, Pl. 2/10 (dated to the first half of the 5<sup>th</sup> c. AD).

<sup>18</sup> Hayes 1972, p. 325, Form 1, Fig. 65, type B, no. 4 (dated to 400–475); Atlante I, p. 232, tav. CXI/2.

<sup>19</sup> Abadie-Reynal, Sodini 1992, p. 18, Form CF 56 (dated to the second half of the 7<sup>th</sup> c. AD).

<sup>20</sup> Shkodra-Rrugia 2016, p. 668, Fig. 5.

<sup>21</sup> Başaran, Ergürer 2012, p. 270, cat. no. 9, Fig. 7/9.

<sup>22</sup> See notes 15–19.

## I.3. HAYES 1 FORM, TYPE C

**General description of the type:** same general characteristics, but the rim is slightly thickened.

**Analogies:** in *Scythia*, it is attested at *Halmyris*<sup>23</sup> and *Histria*<sup>24</sup>. The best analogies are to be found in *Athens*<sup>25</sup>.

**Dating**<sup>26</sup>: at *Histria*, they were discovered in contexts dated to the 5<sup>th</sup> c. AD.

## CATALOGUE

57. **Plate.** Fragmentary, rim. Uneven oxidant primary burn, fine paste, reddish yellow (7.5YR6/6), reddish yellow (5YR6/6) interior, red (2.5YR5/6) slip; very fine iron oxide particles, fine and medium calcite particles. Dimensions: DMG = 170 mm, DMP = 182 mm, DB = 176 mm, H = 16 mm, GrM = 7 mm. Histria 2013, the ACS Sector, context 4001, package 222, no. 221, Pl. VI/3.
58. **Plate.** Fragmentary, upper half of the profile. Uniform oxidant primary burn, very fine paste, yellowish red (5YR5/6), dark reddish grey (2.5YR4/2) and dark grey (2.5YR4/1) slip; very fine and fine calcite and iron oxide particles. Dimensions: DMG = 130 mm, DMP = 144 mm, DB = 103 mm, H = 44 mm, GrM = 10 mm. Histria 2014, the ACS Sector, context 13001, package 183, no. 294, Pl. VI/4.
59. **Plate.** Fragmentary, upper half of the profile. Uneven oxidant primary burn, fine paste, reddish yellow (7.5YR6/6), reddish yellow (5YR7/6) interior, red (2.5YR5/6) slip; very fine and fine calcite and iron oxide particles. Dimensions: DMG = 120 mm, DMP = 134 mm, DB = 125 mm, H = 28 mm, GrM = 8 mm. Histria 2014, the ACS Sector, context 18001, package 338, no. 371, Pl. VI/5.
60. **Plate.** Fragmentary, rim. Uniform oxidant primary burn, very fine paste, yellowish red (5YR5/8), red (2.5YR5/8) slip, very fine mica and calcite particles. Dimensions: DMG = 110 mm, DMP = 120 mm, DB = 114 mm, H = 17.5 mm, GrM = 7 mm. Histria 2014, the ACS Sector, context 5002, package 48, no. 343, Pl. VI/6.

## I.4. HAYES 1 FORM, TYPE D

**General description of the type:** similar to types A and B, but with a smaller diameter.

**Analogies:** in *Scythia*, it is attested at *Halmyris*<sup>27</sup>, *Histria*<sup>28</sup> and *(L)ibida*<sup>29</sup>. In the eastern part of the Empire, it is attested at *Saloniki*<sup>30</sup>, *Scodra* and *Scampis*<sup>31</sup>.

**Dating**<sup>32</sup>: at *Histria*, they were discovered in contexts dated to the second half of the 5<sup>th</sup> c. and the first half of the 6<sup>th</sup> c. AD.

<sup>23</sup> Topoleanu 2000, p. 45, cat. no. 16, p. 294, Pl. II/16 (dated to the second half of the 5<sup>th</sup> c. AD).

<sup>24</sup> Bădescu, Iliescu 2016, p. 144, cat. no. 42, Fig. 4/7 (dated to the 5<sup>th</sup> c. AD).

<sup>25</sup> Hayes 1972, p. 325, Form 1, Fig. 65, type C, no. 6 (dated to the first half of the 5<sup>th</sup> c. AD); Atlante I, p. 232, tav. CXI/3.

<sup>26</sup> See notes 23–25.

<sup>27</sup> Topoleanu 2000, p. 45, cat. no. 17, p. 294, Pl. II/17–18 (dated to the second half of the 5<sup>th</sup> c. and the first half of the 6<sup>th</sup> c. AD).

<sup>28</sup> Bădescu, Iliescu 2016, p. 144, cat. nos. 43–48, Fig. 4/8–12, Fig. 5/1 (dated to the second half of the 5<sup>th</sup> c. and the first half of the 6<sup>th</sup> c. AD); Suceveanu 1982a, p. 114, Pl. 14/4 (dated to the end of the 4<sup>th</sup> c. AD); Suceveanu 1982b, p. 97–98, Fig. 14/3–4 (dated to the 5<sup>th</sup> c. AD).

<sup>29</sup> Mocanu 2011, p. 232, cat. no. 11; Mocanu 2014b, p. 164, cat. nos. 17–18, Fig. 4/17–18.

<sup>30</sup> Atlante I, p. 232, tav. CXI/6; Hayes 1972, p. 325–327, Form 1, Fig. 65, type D, no. 7 (dated to 400–475).

## CATALOGUE

61. **Plate.** Fragmentary, upper half of the profile. Uneven oxidant primary burn, fine paste, yellowish red (5YR5/6), reddish brown (2.5YR5/3) interior, yellowish red (5YR5/6) slip; very fine mica particles, fine, medium and big calcite particles. Dimensions: DMG = 220 mm, DMP = 222 mm, DB = 178 mm, H = 24 mm, GrM = 4 mm. Histria 2014, the ACS Sector, context 8001, package 38, no. 385, Pl. VI/7.
62. **Plate.** Fragmentary, upper half of the profile. Uneven oxidant primary burn, fine paste, yellowish red (5YR5/6), light brown (7.5YR6/4); very fine calcite and mica particles. Dimensions: DMG = 210 mm, DMP = 216 mm, DB = 158 mm, H = 34 mm, GrM = 6 mm. Histria 2013, the ACS Sector, context 2002, no. 274, Pl. VI/8.
63. **Plate.** Fragmentary, upper half of the profile. Uneven oxidant primary burn, very fine paste, reddish yellow (7.5YR6/6), reddish yellow (5YR6/6) interior, red (2.5YR5/8) slip. Dimensions: DMG = 200 mm, DMP = 204 mm, DB = 154 mm, H = 28 mm, GrM = 6 mm. Histria 2013, the ACS Sector, context 2000, no. 253, Pl. VI/9.
64. **Plate.** Fragmentary, upper half of the profile. Uniform oxidant primary burn, fine paste, red (2.5YR5/8), light red (2.5YR6/6) and red (2.5YR5/6) slip; very fine, fine and medium calcite particles, fine and medium iron oxide particles. Dimensions: DMG = 180 mm, DMP = 181 mm, DB = 150 mm, H = 29 mm, GrM = 5 mm. Histria 2014, the ACS Sector, context 8001, package 8, no. 384, Pl. VI/10.
65. **Plate.** Fragmentary, upper half of the profile. Uniform oxidant primary burn, semi-fine paste, yellowish red (5YR5/6); very fine mica particles, medium and big calcite and iron oxide particles. Dimensions: DMG = 170 mm, DMP = 176 mm, DB = 108 mm, H = 16 mm, GrM = 7 mm. Histria 2013, the ACS Sector, context 1002, package 171, no. 212, Pl. VI/11.

## II.1. HAYES 2 FORM, TYPE A

**General description of the type:** the walls of the body are curved; the rim is flared and flattened on top.

**Analogies:** in *Scythia*, it is attested at *Halmyris*<sup>33</sup>, *(L)ibida*<sup>34</sup>, *Capidava*<sup>35</sup> and *Histria*<sup>36</sup>. In the eastern part of the Empire it is attested at *Athens*<sup>37</sup>, *Thasos*<sup>38</sup>, *Scodra*, *Hadrianopolis*, *Onchesmos* and *Buthrotum*<sup>39</sup>.

**Dating**<sup>40</sup>: at *Histria*, they were discovered in contexts dated to the first half of the 6<sup>th</sup> c. AD.

## CATALOGUE

66. **Plate.** Fragmentary, upper half of the profile. Uniform oxidant primary burn, very fine paste, light red (2.5YR6/6), red (2.5YR5/6) slip; very fine and medium calcite and iron oxide particles.

<sup>31</sup> Shkodra-Rrugia 2016, p. 668, Fig. 5.

<sup>32</sup> See notes 27–28 and 30.

<sup>33</sup> Opaïț 1991a, p. 163, cat. no. 257, Pl. 41; Opaïț 1996, p. 137, Pl. 57/3 (dated between the end of the 4<sup>th</sup> c. and the first half of the 5<sup>th</sup> c. AD); Topoleanu 2000, p. 46, cat. nos. 19–20, p. 294, Pl. II/19, p. 295, Pl. III/20 (dated to the second half of the 4<sup>th</sup> c. and the first half of the 5<sup>th</sup> c. AD).

<sup>34</sup> Mocanu 2014b, p. 164, cat. no. 19, Fig. 4/19.

<sup>35</sup> Opaïț 2003, p. 150, cat. no. 354, Pl. LIV/354.

<sup>36</sup> Suceveanu 1982a, p. 117, Pl. 17/12–13, 16 (dated to the 6<sup>th</sup> c. AD).

<sup>37</sup> Atlante I, p. 232, tav. CXI/7–8; Hayes 1972, p. 327, Form 2, Fig. 66, type A, no. 1 (dated to 425–450).

<sup>38</sup> Abadie-Reynal, Sordini 1992, p. 18–19, Form CF 58, CF 59, Pl. 3 (dated to the end of the 4<sup>th</sup> c. and the first half of the 5<sup>th</sup> c. AD).

<sup>39</sup> Shkodra-Rrugia 2016, p. 668, Fig. 5.

<sup>40</sup> See notes 33 and 35–37.

Dimensions: DMG = 320 mm, DMP = 324 mm, DB = 282 mm, H = 35 mm, GrM = 5 mm. Histria 2014, the ACS Sector, context 10000, package 27, no. 327, Pl. VII/1.

## II.2. HAYES 2 FORM, TYPE B:

**General description of the type:** compared to the type A, it has a smaller maximum diameter and a narrower rim.

**Analogies:** in *Scythia*, it is attested at *Histria*<sup>41</sup>, *(L)jibida*<sup>42</sup>, Babadag-Topraichioi<sup>43</sup>. For the eastern part of the Empire, there are analogies at *Saloniki*<sup>44</sup>, *Thasos*<sup>45</sup> and *Scodra*<sup>46</sup>.

**Dating**<sup>47</sup>: at *Histria*, they were discovered in contexts dated to the first half of the 5<sup>th</sup> c. AD.

### CATALOGUE

67. **Plate.** Fragmentary, upper half of the profile. Uneven oxidant primary burn, fine paste, reddish yellow (5YR6/6), red (2.5YR5/8) interior, red (2.5YR4/6) slip; very fine mica particles, fine and medium calcite and iron oxide particles. Dimensions: DMG = 250 mm, DMP = 253 mm, DB = 209 mm, H = 22.5 mm, GrM = 9 mm. Histria 2013, the ACS Sector, context 2000, no. 259, Pl. VII/2.
68. **Plate.** Fragmentary, upper half of the profile. Uniform oxidant primary burn, very fine paste, red (2.5YR5/8), red (2.5YR4/8) slip; very fine mica particles, big calcite particles. Dimensions: DMG = 220 mm, DMP = 221 mm, DB = 142 mm, H = 33 mm, GrM = 5 mm. Histria 2014, the ACS Sector, context 16001, package 292, no. 436, Pl. VII/3.
69. **Plate.** Fragmentary, upper half of the profile. Uneven oxidant primary burn, semi-fine paste, brown (10YR5/3), dark grey (10YR4/1) interior, reddish brown (5YR5/4) slip; very fine, fine and medium calcite particles. Dimensions: DMG = 180 mm, DMP = 182 mm, DB = 130 mm, H = 17 mm, GrM = 5 mm. Histria 2013, the ACS Sector, context 3000, no. 629, Pl. VII/4.

## III.1. HAYES 3 FORM, TYPE E

**General description of the type:** the rim is flat or concave in the lower part and sharpened to the outside, usually

delimited from the body by a rib. The rim is decorated *à la roulette* or with black paint, and inside, in the middle of the base, it can have a stamped decoration. This type is characteristic for the transition from the 5<sup>th</sup> to the 6<sup>th</sup> c. AD.

**Analogies:** in *Scythia*, it is attested at *Halmyris*<sup>48</sup>, *Histria*<sup>49</sup>, *Tropaeum Traiani*<sup>50</sup>, *Capidava*<sup>51</sup> and *(L)jibida*<sup>52</sup>. In the eastern part of the Empire, it is also attested at *Delos*, *Corinth*, *Athens*<sup>53</sup>, *Thasos*<sup>54</sup>, *Chios (Emporio)*<sup>55</sup>, *Scodra*, *Lissos*, *Dyrrachium*, *Apollonia*<sup>56</sup>, *Knidos*<sup>57</sup>, *Parion*<sup>58</sup>.

**Dating**<sup>59</sup>: at *Histria*, they were discovered in contexts dated to the end of the 5<sup>th</sup> c. and beginning of the 6<sup>th</sup> c. AD.

### CATALOGUE

70. **Plate.** Fragmentary, upper half of the profile. Uneven oxidant primary burn, very fine paste, yellowish red (5YR5/6), brown (7.5YR4/3) interior, yellowish red (5YR5/6) slip; very fine mica particles, fine iron oxide particles. Dimensions: DMG = 300 mm, DMP = 312 mm, DB = 244 mm, H = 43 mm, GrM = 14 mm. Histria 2014, the ACS Sector, PASSIM, package 113, no. 355, Pl. VII/5.
71. **Plate.** Fragmentary, upper half of the profile. Uniform oxidant primary burn, fine paste, red (2.5YR5/6), red (2.5YR4/8) slip; very fine, fine, medium and big calcite particles. Dimensions: DMG = 310 mm, DMP = 322 mm, DB = 282 mm, H = 35.5 mm, GrM = 11 mm. Histria 2014, the ACS Sector, context 18000, package 294, no. 427, Pl. VII/6.
72. **Plate.** Fragmentary, entire profile. Uniform oxidant primary burn, fine paste, red (2.5YR5/8), red (2.5YR4/8) slip; very fine, fine and medium calcite particles. Dimensions: DMG = 300 mm, DMP = 307 mm, DP = 140 mm, H = 63 mm, GrM = 14 mm. Histria 2014, the ACS Sector, context 9001/10001, package 215, no. 439, Pl. VII/7.
73. **Plate.** Fragmentary, upper half of the profile. Uniform oxidant primary burn, fine paste, yellowish red (5YR5/6), red (2/5YR5/6) slip; very fine mica particles, fine calcite and iron oxide particles. Dimensions: DMG = 300 mm, DMP = 308 mm, DB = 252 mm, H = 51 mm, GrM = 11 mm. Histria 2014, the ACS Sector, context 10001, package 181, no. 281, Pl. VIII/1.
74. **Plate.** Fragmentary, rim. Uniform oxidant primary burn, fine paste, red (2.5YR5/8), red (2.5YR4/8) slip; very fine and fine calcite particles. Dimensions: DMG = 300 mm, DMP = 304 mm, DB = 270

<sup>41</sup> Bădescu, Iliescu 2016, p. 144–145, cat. nos. 49–50, Fig. 5/2–3 (dated to the first half of the 5<sup>th</sup> c. AD); Suceveanu 1982a, p. 115, Pl. 15/2, Pl. 17/12–15, Pl. 4/1, 3 (dated to the end of the 4<sup>th</sup> c. and the 6<sup>th</sup> c. AD); Suceveanu 1982b, p. 89–92, Fig. 9/6, Fig. 10/22 (dated to the 6<sup>th</sup> c. AD).

<sup>42</sup> Mocanu 2011, p. 232, cat. no. 12, Pl. 2/12; Mocanu 2014b, p. 164–165, cat. no. 20 (dated to the second half of the 4<sup>th</sup> c. and the first half of the 5<sup>th</sup> c. AD).

<sup>43</sup> Opaț 1991b, p. 260, pl. 42/4; Opaț 1996, p. 135, Pl. 55/5 (dated to the end of the 4<sup>th</sup> c. and the beginning of the 5<sup>th</sup> c. AD).

<sup>44</sup> Atlante I, p. 232, tav. CXI/9; Hayes 1972, p. 327–328, Fig. 66, Form 2, type B, nos. 2–4 (dated to 425–450).

<sup>45</sup> Abadie-Reynal, Sodini 1992, p. 18–19, Form CF 58, CF 59, Pl. 3 (dated to the end of the 4<sup>th</sup> c. and the first half of the 5<sup>th</sup> c. AD).

<sup>46</sup> Shkodra-Rrugia 2016, p. 668, Fig. 5.

<sup>47</sup> See notes 40–44.

<sup>48</sup> Opaț 1991a, p. 164, cat. nos. 265–266, Pl. 42/265–266; Opaț 1996, p. 137, Pl. 57/7 (dated to the end of the 5<sup>th</sup> c. and the beginning of the 6<sup>th</sup> c. AD); Topoleanu 1999, p. 195–196, cat. nos. 19–26, Pl. III/19–26; Topoleanu 2000, p. 50–51, cat. nos. 39–46, Pl. IV/39–41, Pl. V/43–46, Pl. XVI/42 (dated to the second half of the 5<sup>th</sup> c. and the 6<sup>th</sup> c. AD).

<sup>49</sup> Bădescu, Iliescu 2016, p. 145, cat. nos. 51–64, Figs. 5/4–11, 6/1–6 (dated to the end of the 5<sup>th</sup> c. and the beginning of the 6<sup>th</sup> c. AD);

Suceveanu 1982b, p. 91–92, Fig. 10/12–13, p. 98–99, Fig. 14/16 (dated to the end of the 6<sup>th</sup> c. AD).

<sup>50</sup> Gamureac *et alii* 2015–2016, p. 222, cat. no. 34, Pl. IV/34.

<sup>51</sup> Opaț 2003, p. 151, cat. nos. 360–361, Pl. LIV/360–361

<sup>52</sup> Mocanu 2011, p. 236–238, cat. nos. 44–66, Pl. 5/45–52, Pl. 6/53–69; Mocanu 2014a, p. 298–299, cat. nos. 20–25, Fig. 20–24; Mocanu 2014b, p. 166, cat. no. 28, Fig. 4/28 (dated to the end of the 5<sup>th</sup> c. and the first half of the 6<sup>th</sup> c. AD).

<sup>53</sup> Atlante I, p. 232, tav. CXII/6–8; Hayes 1972, p. 331–332, Fig. 68, Form 3, type E, nos. 14–16 (dated to the end of the 5<sup>th</sup> c. and beginning of the 6<sup>th</sup> c. AD).

<sup>54</sup> Abadie-Reynal, Sodini 1992, p. 20–21, Form CF 77 – CF 81, Pl. 3–4 (dated to the 6<sup>th</sup> c. AD).

<sup>55</sup> Boardman 1989, p. 91, cat. nos. 35–49, Fig. 27/35–49 (dated to the 5<sup>th</sup> c. AD).

<sup>56</sup> Shkodra-Rrugia 2016, p. 668, Fig. 5.

<sup>57</sup> Doksanalti 2010, p. 769, Fig. 51/1 (dated to the 5<sup>th</sup> c. and the first half of the 6<sup>th</sup> c. AD).

<sup>58</sup> Başaran, Ergürer 2012, p. 271, cat. nos. 14–16, Fig. 8/14–16.

<sup>59</sup> See notes 47–48, 50–53 and 55.

- mm, H = 22 mm, GrM = 14 mm. Histria 2013, the ACS Sector, context 5000, no. 218, Pl. VIII/2.
75. **Plate.** Fragmentary, upper half of the profile. Uniform oxidant primary burn, very fine paste, reddish yellow (5YR6/8), red (2.5YR5/8 and 2.5YR4/6) slip; very fine calcite particles, fine and medium iron oxide particles. Dimensions: DMG = 260 mm, DMP = 271 mm, DB = 216 mm, H = 39 mm, GrM = 15 mm. Histria 2014, the ACS Sector, PASSIM, package 354, no. 354, Pl. VIII/3.
76. **Plate.** Fragmentary, upper half of the profile. Uniform oxidant primary burn, fine paste, red (2.5YR5/6), red (2.5YR4/8) slip; very fine, fine, medium and big calcite particles. Dimensions: DMG = 260 mm, DMP = 272 mm, DB = 232 mm, H = 37.5 mm, GrM = 14 mm. Histria 2014, the ACS Sector, context 18001, package 338, no. 373, Pl. VIII/4.
77. **Plate.** Fragmentary, rim. Uniform oxidant primary burn, fine paste, red (2.5YR5/8), red (2.5YR4/6) slip; very fine mica particles, very fine and fine calcite particles, fine iron oxide particles. Dimensions: DMG = 250 mm, DMP = 260 mm, DB = 238 mm, H = 24 mm, GrM = 10 mm. Histria 2013, the ACS Sector, context 5002, package 48, no. 335, Pl. VIII/5.
78. **Plate.** Fragmentary, upper half of the profile. Uniform oxidant primary burn, fine paste, reddish yellow (5YR6/8), red (2.5YR5/6) slip; very fine calcite and iron oxide particles. Dimensions: DMG = 250 mm, DMP = 260 mm, DB = 214 mm, H = 31 mm, GrM = 12 mm. Histria 2014, the ACS Sector, context 13001, package 153, no. 296, Pl. VIII/6.
79. **Plate.** Fragmentary, upper half of the profile. Uneven oxidant primary burn, fine paste, reddish yellow (5YR6/8), red (2.5YR5/6) interior, red (2.5YR5/6) slip; very fine, fine and medium calcite particles. Dimensions: DMG = 250 mm, DMP = 254 mm, DB = 212 mm, H = 25 mm, GrM = 12 mm. Histria 2014, the ACS Sector, context 11000, package 98, no. 366, Pl. VIII/7.
80. **Plate.** Fragmentary, upper half of the profile. Uneven oxidant primary burn, fine paste, reddish brown (2.5YR4/4), red (2.5YR5/6) interior, red (2.5YR4/6) and dark grey (10YR4/1) slip; very fine, fine and medium calcite particles. Dimensions: DMG = 250 mm, DMP = 254 mm, DB = 218 mm, H = 29 mm, GrM = 12 mm. Histria 2013, the ACS Sector, context 3001, no. 248, Pl. VIII/8.
81. **Plate.** Fragmentary, upper half of the profile. Uniform oxidant primary burn, very fine paste, red (2.5YR5/6), red (2.5YR5/8) slip; very fine and fine calcite and iron oxide particles. Dimensions: DMG = 240 mm, DMP = 246 mm, DB = 208 mm, H = 30 mm, GrM = 9 mm. Histria 2013, the ACS Sector, context 4000, package 100, no. 208, Pl. VIII/9.
82. **Plate.** Fragmentary, upper half of the profile. Uniform oxidant primary burn, fine paste, yellowish red (5YR6/6), red (2.5YR5/6) slip; very fine mica particles, very fine and fine calcite particles. Dimensions: DMG = 220 mm, DMP = 229 mm, DB = 210 mm, H = 30 mm, GrM = 9 mm. Histria 2014, the ACS Sector, context 10000, package 27, no. 322, Pl. VIII/10.
83. **Plate.** Fragmentary, upper half of the profile. Uniform oxidant primary burn, semi-fine paste, pale yellow (5Y8/2); fine and medium iron oxide particles. Dimensions: DMG = 200 mm, DMP = 215 mm, DB = 191 mm, H = 30 mm, GrM = 12.5 mm. Histria 2013, the ACS Sector, context 3001, no. 628, Pl. IX/1.
84. **Plate.** Fragmentary, upper half of the profile. Uniform oxidant primary burn, fine paste, red (2.5YR5/6), red (2.5YR4/6) and dark reddish grey (5YR5/3) slip; very fine and fine calcite particles. Dimensions: DMG = 220 mm, DMP = 224 mm, DB = 182 mm, H = 36 mm, GrM = 12 mm. Histria 2013, the ACS Sector, context 3000, package 248, no. 207, Pl. IX/2.
85. **Plate.** Fragmentary, rim. Uniform oxidant primary bur, fine paste, red (2.5YR5/8), dark reddish grey (2.5YR4/1) and reddish brown (2.5YR5/4) slip; very fine and fine calcite and iron oxide particles. Dimensions: DMG = 210 mm, DMP = 211 mm, DB = 182 mm, H = 27 mm, GrM = 10 mm. Histria 2014, the ACS Sector, context 1000, package 165, no. 430, Pl. IX/3.
86. **Plate.** Fragmentary, rim. Uniform oxidant primary burn, fine paste, red (2.5YR5/8); very fine, fine and medium calcite particles. Dimensions: DMG = 200 mm, DMP = 210 mm, DB = 189 mm, H = 21 mm, GrM = 8 mm. Histria 2014, the ACS Sector, context 5002, package 41, no. 337, Pl. IX/4.
87. **Plate.** Fragmentary, upper half of the profile. Uniform oxidant primary burn, fine paste, yellowish red (5YR5/8), light red (2.5YR6/6) slip; very fine and fine mica, calcite and iron oxide particles. Dimensions: DMG = 200 mm, DMP = 210 mm, DB = 185 mm, H = 23.5 mm, GrM = 10.5 mm. Histria 2014, the ACS Sector, context 8001, package 8, no. 387, Pl. IX/5.
88. **Plate.** Fragmentary, upper half of the profile. Uniform oxidant primary burn, fine paste, red (2.5YR5/6), red (2.5YR4/6) and reddish brown (2.5YR4/3) slip; very fine and fine mica, calcite and iron oxide particles. Dimensions: DMG = 200 mm, DMP = 211 mm, DB = 157 mm, H = 39 mm, GrM = 10 mm. Histria 2014, the ACS Sector, context 10000, package 10, no. 320, Pl. IX/6.
89. **Plate.** Fragmentary, upper half of the profile. Uniform oxidant primary burn, fine paste, red (2.5YR5/6), reddish brown (2.5YR5/4) and dark grey (10YR4/1) slip; very fine, fine and medium calcite particles. Dimensions: DMG = 200 mm, DMP = 206 mm, DB = 174 mm, H = 24 mm, GrM = 7 mm. Histria 2014, the ACS Sector, context 10000, package 10, no. 317, Pl. IX/7.
90. **Plate.** Fragmentary, upper half of the profile. Uneven oxidant primary burn, fine paste, strong brown (7.5YR5/6), red (2.5YR5/8) interior, red (2.5YR4/8) and very dark grey (10YR3/1) slip; very fine mica, calcite and iron oxide particles. Dimensions: DMG = 200 mm, DMP = 208 mm, DB = 167 mm, H = 32.5 mm, GrM = 11 mm. Histria 2013, the ACS Sector, context 2000, no. 260, Pl. IX/8.
91. **Plate.** Fragmentary, upper half of the profile. Uniform oxidant primary burn, fine paste, reddish yellow (7.5YR6/6), red (2.5YR5/6) and pale yellow (2.5Y7/2) slip; very fine calcite and mica particles. Dimensions: DMG = 140 mm, DMP = 145 mm, DB = 97 mm, H = 20 mm, GrM = 6 mm. Histria 2014, the ACS Sector, context 14001, package 204, no. 364, Pl. IX/9.
92. **Plate.** Fragmentary, base. Uniform oxidant primary burn, very fine paste, reddish yellow (5YR6/6), red (2.5YR5/8) slip; very fine, fine and medium calcite particles. Dimensions: DP = 170 mm, DMP = 200 mm, H = 14 mm, GrM = 12 mm. Histria 2014, the ACS Sector, context 10000, package 27, no. 325, Pl. IX/10.
93. **Plate.** Fragmentary, base. Uniform oxidant primary burn, fine paste, yellowish red (5YR5/6), red (2.5YR5/6) slip; very fine mica particles. Dimensions: DP = 120 mm, DMP = 194 mm, H = 15 mm, GrM = 13 mm. Histria 2014, the ACS Sector, context 10000, package 10, no. 326, Pl. X/1.
94. **Plate.** Fragmentary, upper half of the profile. Uniform oxidant primary burn, very fine paste, red (2.5YR5/8), slip of the same color; very fine and fine calcite and iron oxide particles. Dimensions: DMG = 140 mm, DMP = 146 mm, DB = 104 mm, H = 29 mm, GrM = 8 mm. Histria 2014, the ACS Sector, context 10001, package 111, no. 280, Pl. X/2.

### III.2. HAYES 3 FORM, TYPE F

**General description of the type:** compared to the previous type, it has a lower rim that, in many cases, is separated from the body by a rib. They are decorated *à la roulette*, with black paint and have circular incisions on the outside.

**Analogies:** in *Scythia*, it is attested at *Halmyris*<sup>60</sup>, *Histria*<sup>61</sup>, *Capidava*<sup>62</sup> and *(L)ibida*<sup>63</sup>. There are many analogies in other areas of the Empire, among which *Athens*, *Corinth*<sup>64</sup>, *Thasos*<sup>65</sup>, *Chios*<sup>66</sup>, *Scodra*, *Dyrrachium*, *Onchesmos*, *Buthrotum*<sup>67</sup>, *Knidos*<sup>68</sup>, *Parion*<sup>69</sup>.

**Dating**<sup>70</sup>: at *Histria*, they were discovered in contexts dated to the beginning of the 6<sup>th</sup> c. AD.

#### CATALOGUE

95. **Plate.** Fragmentary, upper half of the profile. Uneven oxidant primary burn, fine paste, red (2.5YR5/6), reddish brown (2.5YR5/4) interior, reddish brown (2.5YR4/4) slip; very fine, fine and medium calcite particles. Dimensions: DMG = 230 mm, DMP = 238 mm, DB = 196 mm, H = 27.5 mm, GrM = 10 mm. *Histria* 2014, the ACS Sector, context 15000, package 256, no. 415, Pl. X/3.

### III.3. HAYES 3 FORM, TYPE G

**General description of the type:** the rim is narrow and thick, straight or convex on the outside and concave on the inside. Low, ring-like base, sometimes painted with black paint or kaolin-like white on the outside.

**Analogies:** in *Scythia*, it is attested at *Halmyris*<sup>71</sup>, *Histria*<sup>72</sup> and *(L)ibida*<sup>73</sup>. It is attested also at *Thasos*<sup>74</sup>, *Samos*, *Heraion*<sup>75</sup>, *Miletus*<sup>76</sup>, *Dyrrachium*, *Onchesmos*<sup>77</sup>.

**Dating**<sup>78</sup>: at *Histria*, they were discovered in contexts dated to the 6<sup>th</sup> c. AD.

#### CATALOGUE

96. **Plate.** Fragmentary, upper half of the profile. Uniform oxidant primary burn, fine paste, red (2.5YR5/6), red (2.5YR5/6) and very pale brown (10YR7/4) slip; very fine, fine and medium calcite particles. Dimensions: DMG = 260 mm, DMP = 272 mm, DB = 230 mm, H = 35 mm, GrM = 12 mm. *Histria* 2013, the ACS Sector, context 3000, package 248, no. 206, Pl. X/4.

<sup>60</sup> Opaïț 1991a, p. 164, cat. nos. 267–268, Pl. 42/267–268; Opaïț 1996, p. 137, Pl. 57/8 (dated to the 6<sup>th</sup> c. AD); Topoleanu 1999, p. 196–197, cat. nos. 27–36, Pl. IV/27–36; Topoleanu 2000, p. 51–52, cat. nos. 47–56, Pl. V/47–52, Pl. VI/53–56 (dated to the second half of the 5<sup>th</sup> c. and to the first half of the 6<sup>th</sup> c. AD).

<sup>61</sup> Bădescu, Iliescu 2016, p. 146, cat. nos. 65–68, Fig. 6/7–10 (dated to the beginning of the 6<sup>th</sup> c. AD); Suceveanu 1982b, p. 91–92, Fig. 10/16, p. 98–99, Fig. 14/16 (dated to the end of the 6<sup>th</sup> c. and the beginning of the 7<sup>th</sup> c. AD); Suceveanu 2007, p. 205–206, Pl. LXXIV/4–14.

<sup>62</sup> Opraș 2003, p. 151, cat. no. 363, Pl. LIV/363.

<sup>63</sup> Mocanu 2011, p. 238–239, cat. nos. 67–80, Pl. 6/67–71, Pl. 7/72–74; Mocanu 2014a, p. 299, cat. nos. 26–28, Fig. 4/26–27; Mocanu 2014b, p. 166, cat. nos. 29–30, Fig. 4/29 (dated to the first half of the 6<sup>th</sup> c. AD).

<sup>64</sup> Atlante I, p. 232, tav. CXII/9–11, p. 233, tav. CXIII/1–2; Hayes 1972, p. 333–335, Fig. 69, Form 3, type F, nos. 19–40 (dated to the first half of the 6<sup>th</sup> c. AD).

<sup>65</sup> Abadie-Reynal, Sodini 1992, p. 21–23, Form CF 82 – CF 103, Pl. 5–7 (dated between the 5<sup>th</sup> and the 7<sup>th</sup> c. AD).

<sup>66</sup> Boardman 1989, p. 91, cat. nos. 50–57, Fig. 27/55–57 (dated to the end of the 5<sup>th</sup> c. and beginning of the 6<sup>th</sup> c. AD).

<sup>67</sup> Shkodra-Rrugia 2016, p. 668, Fig. 5.

97. **Plate.** Fragmentary, upper half of the profile. Uneven oxidant primary burn, fine paste, red (2.5YR5/6), red (2.5YR5/8) interior, red (2.5YR4/8) and very pale brown (10YR7/3) slip; very fine, fine and medium calcite particles. Dimensions: DMG = 260 mm, DMP = 272 mm, DB = 242 mm, H = 26 mm, GrM = 15 mm. *Histria* 2013, the ACS Sector, context 1000, no. 235, Pl. X/5.

98. **Plate.** Fragmentary, upper half of the profile. Uneven oxidant primary burn, fine paste, light red (2.5YR6/8), red (2.5YR5/6) interior, red (2.5YR5/6) slip; very fine mica particles, very fine, fine, medium and big calcite particles. Dimensions: DMG = 260 mm, DMP = 268 mm, DB = 234 mm, H = 24 mm, GrM = 9 mm. *Histria* 2014, the ACS Sector, context 14001, package 270, no. 394, Pl. X/6.

99. **Plate.** Fragmentary, upper half of the profile. Uniform oxidant primary burn, fine paste, red (2.5YR5/6), slip of the same color; very fine, fine and medium calcite and iron oxide particles. Dimensions: DMG = 240 mm, DMP = 249 mm, DB = 197 mm, H = 30 mm, GrM = 13 mm. *Histria* 2014, the ACS Sector, context 10001, package 51, no. 292, Pl. X/7.

100. **Plate.** Fragmentary, upper half of the profile. Uniform oxidant primary burn, fine paste, brown (10YR5/3), brown (7.5YR5/4 and 10YR5/3) slip; very fine and fine calcite particles. Dimensions: DMG = 200 mm, DMP = 212 mm, DB = 170 mm, H = 30.5 mm, GrM = 12 mm. *Histria* 2013, the ACS Sector, context 1001, no. 269, Pl. X/8.

101. **Plate.** Fragmentary, base. Uneven oxidant primary burn, very fine paste, yellowish red (5YR5/6), reddish yellow (7.5YR6/6) interior, red (2.5YR5/6) slip; very fine mica particles. Dimensions: DP = 120 mm, DMP = 144 mm, H = 11 mm, GrM = 8 mm. *Histria* 2014, the ACS Sector, context 12000, package 133, no. 404, Pl. XI/1.

102. **Plate.** Fragmentary, base. Uniform oxidant primary burn, very fine paste, reddish yellow (5YR6/8), light red (2.5YR6/8) slip; very fine and fine calcite particles. Dimensions: DP = 100 mm, DMP = 126 mm, H = 11 mm, GrM = 7 mm. *Histria* 2013, the ACS Sector, context 2004, package 205, no. 226, Pl. XI/2.

### IV. HAYES 4 FORM

**General description of the type:** considered by Hayes an early variant of Form 3; the rim is thickened and the body's walls are slightly curved.

<sup>68</sup> Doksanalti 2010, p. 769, Fig. 51/2–3 (dated to the 5<sup>th</sup> c. and the first half of the 6<sup>th</sup> c. AD).

<sup>69</sup> Başaran, Ergürer 2012, p. 271–272, cat. nos. 17–18, Fig. 8/17–18.

<sup>70</sup> See notes 58–63 and 65.

<sup>71</sup> Opaïț 1991a, p. 164, cat. nos. 269–273, Pl. 42/269, Pl. 44/270–273; Opaïț 1996, p. 137 (dated to the 6<sup>th</sup> c. AD); Topoleanu 1999, p. 197–198, cat. nos. 37–42, Pl. V/37–42; Topoleanu 2000, p. 53, cat. nos. 57–62, Pl. VI/57–61, Pl. VII/62 (dated to the 6<sup>th</sup> c. AD).

<sup>72</sup> Bădescu, Iliescu 2016, p. 146–147, cat. nos. 69–72, Figs. 6/11, 7/1–3 (dated to the 6<sup>th</sup> c. AD); Suceveanu 2007, p. 206, Pl. LXXIV/15–16.

<sup>73</sup> Mocanu 2011, p. 239–240, cat. nos. 81–87, Pl. 7/81–84; Mocanu 2014a, p. 299, cat. no. 29, Fig. 4/29 (dated to the first half of the 6<sup>th</sup> c. AD).

<sup>74</sup> Abadie-Reynal, Sodini 1992, p. 23, Form CF 104, Pl. 7 (dated to the 6<sup>th</sup> c. AD).

<sup>75</sup> Hayes 1972, p. 335, Form 3, type G, no. 27 (dated to the second quarter of the 6<sup>th</sup> c. AD).

<sup>76</sup> Sossau 2016, p. 726, Fig. 3/6–11 (dated between the 5<sup>th</sup> and the 7<sup>th</sup> c. AD).

<sup>77</sup> Shkodra-Rrugia 2016, p. 668, Fig. 5.

<sup>78</sup> See notes 68–73.



**Analogies:** in *Scythia*, it is attested at *Halmyris*<sup>79</sup>, *Histria*<sup>80</sup> and *(L)ibida*<sup>81</sup>. It is also attested at *Athens*<sup>82</sup>, *Thasos*<sup>83</sup>, *Dyrrachium*, *Scodra*<sup>84</sup> and *Parion*<sup>85</sup>.

**Dating**<sup>86</sup>: discovered in contexts dated to the first half of the 6<sup>th</sup> c. AD.

#### CATALOGUE

- 103. Plate.** Fragmentary, upper half of the profile. Uneven oxidant primary burn, fine paste, light red (2.5YR6/8), red (2.5YR5/6) interior, red (2.5YR5/6) slip; very fine and fine calcite and iron oxide particles. Dimensions: DMG = 280 mm, DMP = 295 mm, DB = 264 mm, H = 27.5 mm, GrM = 9 mm. Histria 2014, the ACS Sector, context 9000, package 9, no. 419, Pl. XI/3.
- 104. Plate.** Fragmentary, upper half of the profile. Uniform oxidant primary burn, fine paste, red (2.5YR5/8); very fine mica particles, very fine, fine and medium calcite and iron oxide particles. Dimensions: DMG = 130 mm, DMP = 146 mm, DB = 112 mm, H = 26 mm, GrM = 10 mm. Histria 2014, the ACS Sector, context 12001, package 168, no. 308, Pl. XI/4.
- 105. Plate.** Fragmentary, upper half of the profile. Uniform oxidant primary burn, fine paste, reddish yellow (7.5YR7/6), red (2.5YR4/6) slip; very fine mica particles. Dimensions: DMG = 110 mm, DMP = 126 mm, DB = 79 mm, H = 26 mm, GrM = 8 mm. Histria 2014, the ACS Sector, context 8001, package 49, no. 380, Pl. XI/5.

#### V. WAAGÉ 932 f FORM

**General description of the type:** horizontal rim, thickened to the outside and concave to the inside; the upper part is sometimes decorated with parallel incisions.

**Analogies:** in *Scythia*, it is attested at *Halmyris*<sup>87</sup> and *Histria*<sup>88</sup>. It is also attested at *Antioch*<sup>89</sup>.

**Dating**<sup>90</sup>: at *Histria*, they were discovered in contexts dated to the end of the 6<sup>th</sup> c. and the beginning of the 7<sup>th</sup> c. AD.

#### CATALOGUE

- 106. Plate.** Fragmentary, upper half of the profile. Uniform oxidant primary burn, fine paste, reddish yellow (5YR6/8), red (2.5YR 5/8)

<sup>79</sup> Opaïț 1991a, p. 163, cat. no. 254 (Opaïț XI); Opaïț 1996, p. 136, Pl. 56/2–3 (dated to the second half of the 5<sup>th</sup> c. and the first half of the 6<sup>th</sup> c. AD); Topoleanu 2000, p. 56, cat. nos. 73–74, Pl. VIII/73–74 (dated to the second half of the 5<sup>th</sup> c. and the first half of the 6<sup>th</sup> c. AD).

<sup>80</sup> Suceveanu 1982b, p. 96–97, Fig. 13/82 (dated to the 6<sup>th</sup> c. AD).

<sup>81</sup> Mocanu 2014b, p. 166, cat. no. 31, Fig. 4/41.

<sup>82</sup> Hayes 1972, p. 338, Fig. 69, Form 4, no. 1 (dated to the second quarter of the 5<sup>th</sup> c. AD); Atlante I, p. 232, tav. CXIV/1.

<sup>83</sup> Abadie-Reynal, Sodini 1992, p. 24, Form CF 107, Pl. 7 (dated to the first quarter of the 5<sup>th</sup> c. AD).

<sup>84</sup> Shkodra-Rrugia 2016, p. 668, Fig. 5.

<sup>85</sup> Bașaran, Ergürer 2012, p. 272, cat. no. 21, Fig. 9/21.

<sup>86</sup> See notes 76–77, 79–80.

<sup>87</sup> Opaïț 1991a, p. 165, cat. no. 304, Pl. 44/304 (considered of Pontic production); Topoleanu 2000, p. 56–57, cat. nos. 75–80, Pl. VIII/75–78, Pl. IX/79–80 (dated to the second half of the 5<sup>th</sup> c. AD).

<sup>88</sup> Suceveanu 1982b, p. 98–99, Fig. 14/18 (dated to the 6<sup>th</sup> c. AD).

<sup>89</sup> Waagé 1948, p. 56–57, Pl. XI/932f (dated to the 5<sup>th</sup> c. AD).

<sup>90</sup> See notes 84–86.

<sup>91</sup> Opaïț 1991a, p. 164, cat. nos. 274–276, Pl. 43/274–276; Opaïț 1996, p. 138, Pl. 58/1–2 (dated to the first half of the 6<sup>th</sup> c. AD); Topoleanu 2000,

slip; fine and medium calcite and iron oxide particles. Dimensions: DMG = 320 mm, DMP = 324 mm, DB = 245 mm, H = 54 mm, GrM = 10 mm. Histria 2014, the ACS Sector, context 5002, package 41, no. 349, Pl. XI/6.

#### VI. HAYES 5 FORM, TYPE B

**General description of the type:** broad, horizontal rim, slightly concave on top; the body's walls are curved; low foot; in the middle of the base, it can have a stamped decoration.

**Analogies:** in *Scythia*, it is attested at *Halmyris*<sup>91</sup> and *Histria*<sup>92</sup>. It is also attested at *Athens*, *Lechaion*<sup>93</sup>, *Parion*<sup>94</sup>.

**Dating**<sup>95</sup>: at *Histria*, they were discovered in contexts dated to the first half of the 6<sup>th</sup> c. AD.

#### CATALOGUE

- 107. Plate.** Fragmentary, upper half of the profile. Uneven oxidant primary burn, fine paste, reddish yellow (7.5YR6/6), pale brown (10YR6/3) interior, red (2.5YR5/6) and dark grey (2.5Y4/1) slip; very fine, fine and medium calcite and iron oxide particles. Dimensions: DMG = 170 mm, DMP = 170 mm, DB = 123 mm, H = 29 mm, GrM = 9 mm. Histria 2014, the ACS Sector, context 10001, package 51, no. 290, Pl. XI/7.

#### VII. HAYES 6 FORM

**General description of the type:** the rim is thickened to the outside, flat or slightly concave in the upper part, separated from the curved body by a rib or incision.

**Analogies:** in *Scythia*, it is attested at *Halmyris*<sup>96</sup>, *Histria*<sup>97</sup> and *Babadag-Topraichioi*<sup>98</sup>. It is also attested at *Lechaion*<sup>99</sup>, *Dyrrachium*<sup>100</sup>.

**Dating**<sup>101</sup>: at *Histria*, it was discovered in contexts dated to the end of the 5<sup>th</sup> and beginning of the 6<sup>th</sup> c. AD.

p. 58, cat. nos. 84–89, Pl. IX/84–87, Pl. X/88–89 (dated to the second half of the 5<sup>th</sup> c. and the first half of the 6<sup>th</sup> c. AD).

<sup>92</sup> Suceveanu 1982b, p. 89–90, Fig. 9/5, p. 92–93, Fig. 11/24 (dated to the 6<sup>th</sup> c. AD).

<sup>93</sup> Atlante I, p. 232, tav. CXIV/3–4; Hayes 1972, p. 340, Fig. 70, Form 5, type B, nos. 2–3 (dated to the first half of the 6<sup>th</sup> c. AD);

<sup>94</sup> Ergürer 2013, p. 147, Resim 195.

<sup>95</sup> See notes 88–90.

<sup>96</sup> Opaïț 1991a, p. 164, cat. nos. 277–278, Pl. 43/277–278; Opaïț 1996, p. 138, Pl. 58/3–4 (dated to the beginning of the 6<sup>th</sup> c. AD); Topoleanu 2000, p. 58–59, cat. nos. 90–93, Pl. X/90–93 (dated to the second half of the 5<sup>th</sup> c. and the first half of the 6<sup>th</sup> c. AD).

<sup>97</sup> Bădescu, Ilescu 2016, p. 147, cat. no. 76, Fig. 7/7 (dated to the end of the 5<sup>th</sup> c. and the beginning of the 6<sup>th</sup> c. AD); Suceveanu 1982b, p. 89–90, Fig. 9/4, p. 98–99, Fig. 14/18–20 (dated to the 6<sup>th</sup> c. and the beginning of the 7<sup>th</sup> c. AD).

<sup>98</sup> Opaïț 1991b, p. 230, Pl. 42/6.

<sup>99</sup> Atlante I, p. 232, tav. CXIV/5; Hayes 1972, p. 341, Fig. 70, Form 6, no. 1 (dated to the beginning of the 6<sup>th</sup> c. AD).

<sup>100</sup> Shkodra-Rrugia 2016, p. 668, Fig. 5.

<sup>101</sup> See notes 93–94 and 96.

## CATALOGUE

- 108. Bowl.** Fragmentary, upper half of the profile. Uniform oxidant primary burn, fine paste, brown (7.5YR5/4), yellowish red (5YR5/8) and red (2.5YR5/8) slip; very fine and fine calcite particles. Dimensions: DMG = 170 mm, DMP = 200 mm, DB = 150 mm, H = 19 mm, GrM = 18 mm. Histria 2014, the ACS Sector, context 13001, package 169, no. 301, Pl. XI/8.
- 109. Bowl.** Fragmentary, upper half of the profile. Uniform oxidant primary burn, fine paste, red (2.5YR5/8), red (2.5YR4/8) slip; very fine and fine calcite particles. Dimensions: DMG = 140 mm, DMP = 182 mm, DB = 138 mm, H = 24 mm, GrM = 21 mm. Histria 2014, the ACS Sector, PASSIM, package 92, no. 351, Pl. XI/9.
- 110. Bowl.** Fragmentary, upper half of the profile. Uniform oxidant primary burn, fine paste, red (2.5YR5/8), red (2.5YR5/8) and reddish brown (2.5YR4/4) slip; very fine mica particles, fine and medium calcite and iron oxide particles. Dimensions: DMG = 150 mm, DMP = 187 mm, DB = 152 mm, H = 19 mm, GrM = 20 mm. Histria 2013, the ACS Sector, context 2000, no. 258, Pl. XI/10.
- 111. Bowl.** Fragmentary, upper half of the profile. Uniform oxidant primary burn, fine paste, yellowish red (2.5YR5/8), red (2.5YR5/6) slip; very fine mica particles, medium and big calcite and iron oxide particles. Dimensions: DMG = 150 mm, DMP = 182 mm, DB = 152 mm, H = 19 mm, GrM = 17 mm. Histria 2013, the ACS Sector, context 4000, package 100, no. 211, Pl. XI/11.
- 112. Bowl.** Fragmentary, upper half of the profile. Uniform oxidant primary burn, fine paste, red (2.5YR5/8), red (2.5YR5/6) slip; very fine mica particles, fine and medium calcite and iron oxide particles. Dimensions: DMG = 150 mm, DMP = 182 mm, DB = 160 mm, H = 20 mm, GrM = 16 mm. Histria 2014, the ACS Sector, context 11001, package 253, no. 425, Pl. XI/12.
- 113. Bowl.** Fragmentary, upper half of the profile. Uniform oxidant primary burn, fine paste, yellowish red (5YR5/8), red (2.5YR5/6); very fine mica and iron oxide particles. Dimensions: DMG = 140 mm, DMP = 170 mm, DB = 156 mm, H = 25 mm, GrM = 16 mm. Histria 2014, the ACS Sector, context 14001, package 270, no. 298, Pl. XII/1.
- 114. Bowl.** Fragmentary, upper half of the profile. Uneven oxidant primary burn, very fine paste, red (2.5YR5/8), reddish brown (2.5YR5/4) interior, red (2.5YR4/8) slip; very fine, fine and medium calcite particles. Dimensions: DMG = 130 mm, DMP = 154 mm, DB = 117 mm, H = 20.5 mm, GrM = 12 mm. Histria 2014, the ACS Sector, context 12001, package 168, no. 297, Pl. XII/2.

## VIII. HAYES 8 FORM

**General description of the type:** horizontal rim, with the outside brim oriented downwards, slightly concave in the upper part. The rim is separated, on the inside, from the body by a prominent rib. The walls are curved and the outside face of the rim is decorated with fine grooves.

**Analogies:** in *Scythia*, it is attested at *Halmyris*<sup>102</sup>, *Histria*<sup>103</sup> and *(L)ibida*<sup>104</sup>. It is also attested at *Athens*<sup>105</sup>, *Parion*<sup>106</sup> and *Onchesmos*<sup>107</sup>.

**Dating**<sup>108</sup>: at *Histria*, they were discovered in contexts dated to the second half of the 5<sup>th</sup> and first half of the 6<sup>th</sup> c. AD.

## CATALOGUE

- 115. Bowl.** Fragmentary, upper half of the profile. Uneven oxidant primary burn, very fine paste, reddish yellow (5YR6/6), reddish yellow (7.5YR6/6) interior, red (2.5YR5/8) slip; very fine mica and calcite particles. Dimensions: DMG = 140 mm, DMP = 158 mm, DB = 124 mm, H = 26 mm, GrM = 10 mm. Histria 2013, the ACS Sector, context 4000, package 100, no. 210, Pl. XII/3.

## IX. ABADIE-REYNAL/SODINI CF 183 FORM

**General description of the type:** the body's walls are curved, the rim is thickened; it has a very sharp angle between the rim and the body on the inside.

**Analogies:** in *Scythia*, they were discovered at *Halmyris*<sup>109</sup> and *Histria*<sup>110</sup>. It is also attested at *Thasos*<sup>111</sup>.

**Dating**<sup>112</sup>: at *Histria*, they were discovered in contexts dated to the second half of the 6<sup>th</sup> c. and the beginning of the 7<sup>th</sup> c. AD.

## CATALOGUE

- 116. Plate.** Fragmentary, upper half of the profile. Uniform oxidant primary burn, fine paste, yellowish red (5YR5/6), very pale brown (7.5YR7/4) and yellowish red (5YR5/6) slip; fine and medium calcite particles. Dimensions: DMG = 310 mm, DMP = 317 mm, DB = 240 mm, H = 47 mm, GrM = 10 mm. Histria 2014, the ACS Sector, context 10001, package 51, no. 288, Pl. XII/4.
- 117. Plate.** Fragmentary, upper half of the profile. Uniform oxidant primary burn, fine paste, light brown (7.5YR6/4), reddish yellow (5YR5/6 in the upper part and 7.5YR7/6 in the lower one) slip; very fine, fine and medium calcite particles, fine mica particles, small pebbles. Dimensions: DMG = 260 mm, DMP = 266 mm, DB = 230 mm, H = 30 mm, GrM = 9 mm. Histria 2014, the ACS Sector, context 10000, package 10, no. 318, Pl. XII/5.
- 118. Plate.** Fragmentary, upper half of the profile. Uniform oxidant primary burn, fine paste, yellowish red (5YR5/6), red (2.5YR5/6) slip; very fine and fine mica and calcite particles. Dimensions: DMG = 210 mm, DMP = 216 mm, DB = 160 mm, H = 37.5 mm, GrM = 9 mm. Histria 2014, the ACS Sector, context 10001, package 51, no. 289, Pl. XII/6.

<sup>102</sup> Opaît 1991a, p. 164, cat. no. 279, Pl. 43/279; Opaît 1996, p. 138, Pl. 58/5 (dated to the second half of the 5<sup>th</sup> c. AD); Topoleanu 2000, p. 59–60, cat. nos. 94–98, Pl. X/94–97, Pl. XI/98 (dated between the second half of the 5<sup>th</sup> c. and the first half of the 6<sup>th</sup> c. AD).

<sup>103</sup> Bădescu, Iliescu 2016, p. 147, cat. no. 77, Fig. 7/8 (dated to the second half of the 5<sup>th</sup> c. and the beginning of the 6<sup>th</sup> c. AD); Suceveanu 1982b, p. 84–86, Fig. 7/5, p. 99–100, Fig. 15/33–35 (dated between the 5<sup>th</sup> c. and the beginning of the 7<sup>th</sup> c. AD).

<sup>104</sup> Mocanu 2011, p. 240, cat. nos. 90–92, Pl. 8/90–92 (dated to the second half of the 5<sup>th</sup> c. and beginning of the 6<sup>th</sup> c. AD); Mocanu 2014a, p. 299–300, cat. nos. 30–31, Fig. 4/30 (dated to the second half of the 5<sup>th</sup> c. and to the first half of the 6<sup>th</sup> c. AD).

<sup>105</sup> Atlante I, p. 232, tav. CXIV/9, 11; Hayes 1972, p. 342, Fig. 70, Form 8, nos. 1–2 (dated to the second half of the 5<sup>th</sup> c. AD).

<sup>106</sup> Ergürer 2013, p. 147, Resim 195.

<sup>107</sup> Shkodra-Rrugia 2016, p. 668, Fig. 5.

<sup>108</sup> See notes 99–102.

<sup>109</sup> Opaît 1991a, p. 166, cat. no. 315, Pl. 46/315 (included in the unidentified types); Topoleanu 2000, p. 60, cat. no. 99, Pl. XI/99 (dated to the second half of the 6<sup>th</sup> c. AD).

<sup>110</sup> Suceveanu 1982b, p. 97–98, Fig. 14/7 (dated to the end of the 6<sup>th</sup> c. AD).

<sup>111</sup> Abadie-Reynal, Sodini 1992, p. 33, Form CF 183, Fig. 13 (dated to the end of the 6<sup>th</sup> c. AD).

<sup>112</sup> See notes 106–108.

## X.1. HAYES 10 FORM, TYPE A

**General description of the type:** massive, square-section rim; the body's walls are curved or almost straight.

**Analogies:** in *Scythia*, it is attested at *Halmyris*<sup>113</sup>, *Histria*<sup>114</sup> and *Capidava*<sup>115</sup>. It is also attested at *Athens*, *Corinth*<sup>116</sup>, *Dyrrachium*, *Onchesmos*<sup>117</sup> and *Parion*<sup>118</sup>.

**Dating**<sup>119</sup>: at *Histria*, they were discovered in contexts dated to the 6<sup>th</sup> c. AD.

## CATALOGUE

- 119. Plate.** Fragmentary, upper half of the profile. Uniform oxidant primary burn, fine paste, reddish yellow (5YR6/6), reddish brown (2.5YR4/4) slip; very fine and fine calcite particles. Dimensions: DMG = 200 mm, DMP = 207 mm, DB = 187 mm, H = 22 mm, GrM = 7 mm. *Histria* 2014, the ACS Sector, context 5002, package 109, no. 311, Pl. XII/7.
- 120. Plate.** Fragmentary, rim. Uniform oxidant primary burn, fine paste, red (2.5YR5/6), slip of the same color; very fine and fine calcite particles. Dimensions: DMG = 200 mm, DMP = 209 mm, DB = 178 mm, H = 17.5 mm, GrM = 12 mm. *Histria* 2014, the ACS Sector, context 9000/10000, package 215, no. 631, Pl. XII/8.

## X.2. HAYES 10 FORM, TYPE B

**General description of the type:** rim rounded in the upper part, sometimes with a lower inferior brim.

**Analogies:** in *Scythia*, it is attested only at *Halmyris*<sup>120</sup> and *Histria*<sup>121</sup>. For the eastern part of the Empire, there are analogies at *Athens*<sup>122</sup> and *Thasos*<sup>123</sup>.

**Dating**<sup>124</sup>: at *Histria*, they were discovered in contexts dated to the 6<sup>th</sup> and beginning of the 7<sup>th</sup> c. AD.

## CATALOGUE

- 121. Plate.** Fragmentary, upper half of the profile. Uniform oxidant primary burn, fine paste, red (2.5YR5/6), red (2.5YR4/8) slip; very fine, fine, medium and big calcite particles. Dimensions: DMG = 270 mm, DMP = 278 mm, DB = 236 mm, H = 23.5 mm, GrM = 11 mm. *Histria* 2014, the ACS Sector, context 15001, package 291, no. 413, Pl. XII/9.
- 122. Plate.** Fragmentary, upper half of the profile. Uniform oxidant primary burn, fine paste, red (2.5YR5/8), red (2.5YR5/6) and pale brown (10YR6/3) slip; very fine and fine calcite particles. Dimensions: DMG = 270 mm, DMP = 279 mm, DB = 226 mm, H = 25 mm, GrM = 15 mm. *Histria* 2013, the ACS Sector, context 1001, no. 270, Pl. XII/10.
- 123. Plate.** Fragmentary, upper half of the profile. Uniform oxidant primary burn, fine paste, reddish yellow (5YR6/6); very fine, fine and medium calcite particles, fine mica particles. Dimensions: DMG = 240 mm, DMP = 252 mm, DB = 238 mm, H = 26.5 mm, GrM = 12 mm. *Histria* 2013, the ACS Sector, context 5001, no. 626, Pl. XIII/1.
- 124. Plate.** Fragmentary, upper half of the profile. Uniform oxidant primary burn, fine paste, red (2.5YR5/6), red (2.5YR5/6) and very pale brown (10YR8/2) slip; very fine, fine, medium and big calcite particles. Dimensions: DMG = 240 mm, DMP = 248 mm, DB = 189 mm, H = 40 mm, GrM = 12 mm. *Histria* 2014, the ACS Sector, context 10001, packages 10 and 27, no. 319, Pl. XIII/2.

## X.3. HAYES 10 FORM, TYPE C

**General description of the type:** the rim is elongated, flat or concave in the upper part.

**Analogies:** in *Scythia*, it is attested only at *Histria*<sup>125</sup> and *Halmyris*<sup>126</sup>. In the Empire's eastern part, it was discovered at *Chios (Emporio)*<sup>127</sup>, *Thasos*<sup>128</sup>, *Scodra*, *Dyrrachium*, *Onchesmos*, *Buthrotum*<sup>129</sup> and *Parion*<sup>130</sup>.

**Dating**<sup>131</sup>: at *Histria*, they were discovered in contexts dated to the end of the 6<sup>th</sup> and beginning of the 7<sup>th</sup> c. AD.

<sup>113</sup> Opaïț 1991a, p. 164, cat. nos. 280–283, Pl. 43/280–283; Opaïț 1996, p. 138, Pl. 58/6 (dated to the 6<sup>th</sup> c. and the beginning of the 7<sup>th</sup> c. AD); Topoleanu 1999, p. 199–200, cat. nos. 44–47, Pl. VI/44–47; Topoleanu 2000, p. 60–61, cat. nos. 100–103, Pl. XI/100, 102–103, Pl. XIV/101 (dated to the 6<sup>th</sup> c. AD).

<sup>114</sup> Bădescu, Iliescu 2016, p. 148, cat. nos. 78–80, Fig. 7/9–11 (dated to the 6<sup>th</sup> c. AD); Suceveanu 1982a, p. 117–118, Pl. 17/8–9 (dated to the 6<sup>th</sup> c. and the 7<sup>th</sup> c. AD); Suceveanu 1982b, p. 91–92, Fig. 10/8, 11 (dated to the second half of the 6<sup>th</sup> c. AD); Suceveanu 2007, p. 206, Pl. LXXIV/17–19.

<sup>115</sup> Opraș 2003, p. 152, cat. nos. 364–370, Pl. LV/364–370.

<sup>116</sup> Atlante I, p. 232, tav. CXIII/10–12; Hayes 1972, p. 343, Fig. 71, Form 10, type A, nos. 2–6 (dated to the end of the 6<sup>th</sup> c. and to the beginning of the 7<sup>th</sup> c. AD).

<sup>117</sup> Shkodra-Rrugia 2016, p. 668, Fig. 5.

<sup>118</sup> Bașaran, Ergürer 2012, p. 272, cat. nos. 23–24, Fig. 9/23–24.

<sup>119</sup> See notes 110–112.

<sup>120</sup> Topoleanu 1999, p. 200, cat. nos. 48–49, Pl. XXI/48, Pl. VI/49; Topoleanu 2000, p. 61–62, cat. nos. 104–105, Pl. XI/104–105 (dated to the 6<sup>th</sup> c. and the beginning of the 7<sup>th</sup> c. AD).

<sup>121</sup> Bădescu, Iliescu 2016, p. 148, cat. nos. 81–83, Fig. 8/1–3 (dated to the 6<sup>th</sup> c. and the beginning of the 7<sup>th</sup> c. AD); Suceveanu 1982a, p. 99, Pl. 4/1 (dated to the 6<sup>th</sup> c. and the beginning of the 7<sup>th</sup> c. AD); Suceveanu 1982b, p. 98–99, Fig. 14/10–11 (dated to the end of the 6<sup>th</sup> c. and the beginning of the 7<sup>th</sup> c. AD).

<sup>122</sup> Atlante I, p. 232, tav. CXIII/13; Hayes 1972, p. 343, Fig. 71, Form 10, type B, no. 7 (dated to the end of the 6<sup>th</sup> c. and to the beginning of the 7<sup>th</sup> c. AD).

<sup>123</sup> Abadie-Reynal, Sodini 1992, p. 24, Form CF 114 (dated to 650–700).

<sup>124</sup> See notes 116–119.

<sup>125</sup> Bădescu, Iliescu 2016, p. 148–149, cat. nos. 84–90, Fig. 8/4–10 (dated to the end of the 6<sup>th</sup> c. and the beginning of the 7<sup>th</sup> c. AD); Suceveanu 1982b, p. 91–92, Fig. 10/7, 9–10, p. 98–99, Fig. 14/12–15 (dated to the second half of the 6<sup>th</sup> c. and the beginning of the 7<sup>th</sup> c. AD); Suceveanu 2007, p. 207, Pl. LXXIV/20.

<sup>126</sup> Opaïț 1991a, p. 165, cat. no. 286, Pl. 43/286; Topoleanu 1999, p. 200–201, cat. no. 50, Pl. VI/50; Topoleanu 2000, p. 62, cat. no. 106, Pl. XI/106 (dated to the end of the 6<sup>th</sup> c. and the beginning of the 7<sup>th</sup> c. AD).

<sup>127</sup> Atlante I, p. 232, tav. CXIII/14–18; Boardman 1989, p. 92, cat. nos. 88–95, Fig. 28/88–85 (dated to the first half of the 7<sup>th</sup> c. AD); Hayes 1972, p. 343–345, Fig. 71, Form 10, type C, nos. 11, 14–15 (dated to the first half of the 7<sup>th</sup> c. AD).

<sup>128</sup> Abadie-Reynal, Sodini 1992, p. 25, Form CF 115, Pl. 8 (dated to 650–700).

<sup>129</sup> Shkodra-Rrugia 2016, p. 668, Fig. 5.

<sup>130</sup> Ergürer 2013, p. 147, Resim 195.

<sup>131</sup> See notes 121–124.

## CATALOGUE

125. **Plate.** Fragmentary, upper half of the profile. Uniform oxidant primary burn, fine paste, light red (2.5YR6/8), weak red (2.5YR4/2) and red (2.5YR5/6) slip on the outer surface and red (2.5YR5/6) on the inner one; very fine mica and calcite particles, fine and medium iron oxide particles. Dimensions: DMG = 280 mm, DMP = 282 mm, DB = 228 mm, H = 42.5 mm, GrM = 12 mm. Histria 2013, the ACS Sector, context 3001, no. 249, Pl. XIII/3.
126. **Plate.** Fragmentary, rim. Uniform oxidant primary burn, fine paste, red (2.5YR5/8), red (2.5YR5/6) and very pale brown (10YR7/3) slip; very fine, fine and medium calcite particles. Dimensions: DMG = 260 mm, DMP = 270 mm, DB = 234 mm, H = 21 mm, GrM = 15 mm. Histria 2013, the ACS Sector, context 2000, no. 255, Pl. XIII/4.
127. **Plate.** Fragmentary, upper half of the profile. Uniform oxidant primary burn, fine paste, reddish yellow (7.5YR6/6), red (2.5YR5/6) slip; very fine calcite particles. Dimensions: DMG = 260 mm, DMP = 264 mm, DB = 229 mm, H = 15 mm, GrM = 9 mm. Histria 2014, the ACS Sector, context 12001, package 168, no. 304, Pl. XIII/5.
128. **Plate.** Fragmentary, upper half of the profile. Uniform oxidant primary burn, fine paste, yellowish red (5YR5/6), dark reddish grey (5YR4/2) and very dark grey (5YR3/1) slip; very fine mica and calcite particles. Dimensions: DMG = 250 mm, DMP = 258 mm, DB = 210 mm, H = 26.5 mm, GrM = 9 mm. Histria 2014, the ACS Sector, context 15000, package 286, no. 416, Pl. XIII/6.
129. **Plate.** Fragmentary, rim. Uniform oxidant primary burn, fine paste, light red (2.5YR6/8), red (2.5YR5/6) and very pale brown (10YR7/4) slip; very fine, fine and medium calcite particles. Dimensions: DMG = 250 mm, DMP = 257 mm, DB = 214 mm, H = 22 mm, GrM = 8 mm. Histria 2013, the ACS Sector, context 2000, no. 254, Pl. XIII/7.
130. **Plate.** Fragmentary, rim. Uniform oxidant primary burn, fine paste, red (2.5YR5/8), red (2.5YR5/6) and very pale brown (10YR7/3) slip; very fine, fine and medium calcite particles. Dimensions: DMG = 240 mm, DMG = 248 mm, DB = 234 mm, H = 20 mm, GrM = 14 mm. Histria 2013, the ACS Sector, context 1000, no. 234, Pl. XIII/8.
131. **Plate.** Fragmentary, upper half of the profile. Uniform oxidant primary burn, fine paste, red (2.5YR5/8), slip of the same colour; very fine, fine and medium calcite and iron oxide particles. Dimensions: DMG = 200 mm, DMP = 207 mm, DB = 129 mm, H = 33 mm, GrM = 10 mm. Histria 2014, the ACS Sector, context 11000, package 201, no. 368, Pl. XIII/9.
132. **Plate.** Fragmentary, upper half of the profile. Uneven oxidant primary burn, fine paste, reddish yellow (7.5YR6/6), reddish yellow (5YR6/8) interior, yellowish red (5YR5/6) and light grey (10YR7/2) slip; very fine mica, calcite and iron oxide particles. Dimensions: DMG = 200 mm, DMP = 205 mm, DB = 158 mm, H = 23 mm, GrM = 11 mm. Histria 2014, the ACS Sector, context 14000, package 149, no. 365, Pl. XIII/10.

## CONCLUSIONS

Based on the catalogue presented above, one notices that the pottery is preserved in a very fragmentary state, with no entirely-preserved vessels discovered until now. This situation could be linked to the contexts of discovery, as most of them were found in the vegetal layer and the two layers of debris. Chronologically, these fragments are dated to the Late Roman period (between the 4<sup>th</sup> and the 7<sup>th</sup> centuries AD), a normal fact if we take into account that they were discovered in the aforementioned layers, which were above the *insula's* last dwelling level.

Concerning the production areas, we observed that on the Acropolis Centre-South Sector the Oriental tableware is predominant, which is not a surprising situation if we take into account the events of the 4<sup>th</sup> century AD, when Dobrudja was reorganised as a province of the Eastern Roman Empire. Also, the considerable increase of the number of products from this part of the Empire, including the tableware, should be seen as an economic consequence of these political and administrative changes. The prevalence of the Oriental pottery on the Acropolis Centre South Sector is not an uncommon case, other similar examples being Halmyris or (L)ibida. However, we should mention that some of these shards may be local imitations of the Oriental products, a fact difficult to establish since we don't have extensive clay analyses.

Future research<sup>132</sup> will aim at completely uncovering the Late Roman *insula*, which will enable us to group all the discoveries, especially the pottery, on the different spaces that composed this urban structure and therefore hopefully determine their use.

## REFERENCES

- Abadie-Reynal, Sodini 1992 – C. Abadie-Reynal, J.-P. Sodini, *La céramique paléochrétienne de Thasos (Alikí, Delkos, fouilles anciennes)*, ÉtThas 13, Atena–Paris, 1992.
- Atlante I – *Enciclopedia dell'arte antica classica e orientale. Ceramica fine romana nel bacino Mediterraneo (Medio e Tardo Imperio)*, Roma, 1981.
- Başaran, Ergürer 2012 – C. Başaran, E. H. Ergürer, *2010 Excavations at Parion: the „Odeion” (Bouleuterion?) and its Ceramic Finds*, OLBA 20, 2012, p. 245–289.
- Baumann 1995 – V. H. Baumann, *Așezări rurale antice în zona gurilor Dunării. Contribuții arheologice la cunoașterea habitatului rural (sec. I–IV p. Chr.)*, Tulcea, 1995.
- Bădescu, Iliescu 2016 – A. Bădescu, I. Iliescu, *Late Roman pottery discovered at Histria in the Acropolis Centre-South sector (2015). Vasa escaria – Late Roman C Wares*, MCA 12, 2016, p. 141–149.
- Boardman 1989 – J. Boardman, *The Finds*, in: M. Ballance, J. Boardman, S. Corbett, S. Hood, *Excavations in Chios 1952–1955: Byzantine Emporio*, Oxford, 1989, p. 88–121.
- Bottez et alii 2015 – V. Bottez, A. Lițu, A. Țârlea, *Preliminary results of the excavations at Histria, the Acropolis Centre-South Sector (2013–2014)*, MCA 11, 2015, p. 157–191.
- Chiriac, Honcu 2014 – C. Chiriac, Ș. Honcu, *Observații recente asupra așezării antice de la Tuzla-Far (Județul Constanța). Evidența ceramică*, Pontica 47, 2014, p. 233–248.
- Doksanalti 2010 – E. M. Doksanalti, *The Coarse Ware from a “Late Roman House” in Knidos*, in: S. Menchelli, S. Santoro, M. Pasquinucci, G. Guiducci (eds.), *LRCW3 Late Roman Coarse Wares, Cooking Wares and Amphorae in the Mediterranean: Archaeology and archaeometry. Comparison between western and eastern Mediterranean*, Volume II, BAR IntSer 2185, Oxford, 2010, p. 769–780.
- Ergürer 2013 – E. H. Ergürer, *Seramikler*, in C. Başaran (ed.), *Antik Troas'ın Parlayan Kenti. Parion. 1997–2009 Yılları Yüzey Araştırmaları, Kazıve Restorasyon Çalışmaları*, İstanbul, 2013, p. 137–150.

<sup>132</sup> The new research project approved by the University of Bucharest spans between 2017 and 2021.

- Gamureac et alii 2015–2016 – Ş.-E. Gamureac, M. S. Ionescu, F. Drăghici, *The A9 Edifice from Tropaeum Traiani (II). A Late Roman House in Scythia Minor (5<sup>th</sup>–6<sup>th</sup> Cent. AD)*, Pontica 48–49, 2015–2016, p. 209–240.
- Hayes 1972 – J. Hayes, *Late Roman Pottery*, London, 1972.
- Mocanu 2011 – M. Mocanu, *Considerații privind ceramica de masă de la (L)Ibida. Studiu de caz. Sectorul Extramuros Vest III*, Peuce 11, 2011, p. 225–252.
- Mocanu 2014a – M. Mocanu, *Considerations on Tableware Pottery of (L)Ibida III. X Research Area, SAA 20*, 2014, p. 283–305.
- Mocanu 2014b – M. Mocanu, *Considerații privind ceramica de masă de la (L)Ibida (II). Sectorul Extra Muros Nord I*, Peuce 12, 2014, p. 147–168.
- Opaiț 1991a – A. Opaiț, *Ceramica din așezarea și cetatea de la Independența (Murighiol) în secolele V î.e.n. – VII e.n.*, Peuce 10, 1991, p. 133–182 (vol. I), p. 165–216 (vol. II).
- Opaiț 1991b – A. Opaiț, *Ceramica*, in: A. Opaiț, M. Zahariade, Gh. Poenaru-Bordea, C. Opaiț, *Fortificația și așezarea romană târzie de la Babadag-Topraichioi*, Peuce 10, 1991, p. 211–269 (vol. I), p. 219–283 (vol. II).
- Opaiț 1996 – A. Opaiț, *Aspecte ale vieții economice din provincia Scythia (secolele IV–VI p. Chr.). Producția ceramicii locale și de import*, București, 1996.
- Opriș 2003 – I. Opriș, *Ceramica romană târzie și paleobizantină de la Capidava în contextul descoperirilor de la Dunărea de Jos (sec. IV–VI p. Chr.)*, București, 2003.
- Shkodra-Rrugia 2016 – B. Shkodra-Rrugia, *Late Antique Sigillata Tablewares in Albania*, RCRFActa 44, 2016, p. 661–670.
- Sossau 2016 – V. Sossau, *Late Antique Pottery from an Insula South of the West-Market in Miletus (Turkey)*, RCRFActa 44, 2016, p. 725–730.
- Suceveanu 1982a – A. Suceveanu, *Histria VI. Les thermes romains*, Bucharest–Paris, 1982.
- Suceveanu 1982b – A. Suceveanu, *Contribuții la studiul ceramicii romano-bizantine de la Histria*, SCIVA 33, 1, 1982, p. 79–107.
- Suceveanu 2007 – A. Suceveanu, *Histria XIII. La basilique épiscopale*, Bucarest, 2007.
- Topoleanu 1999 – F. Topoleanu, *Ceramica romană târzie de la Halmyris. Vasa escaria: formele Hayes 3 și Hayes 10*, Pontica 32, 1999, p. 187–214.
- Topoleanu 2000 – F. Topoleanu, *Ceramica romană și romano-bizantină de la Halmyris (sec. I–VII d. Ch.)*, Tulcea, 2000.
- Waagé 1948 – F. O. Waagé, *Hellenistic and Roman Tableware of North Syria. Antioch-on-the-Orontes, IV. Part 1. Ceramic and Islamic Coins*, Princeton, 1948, p. 1–60.

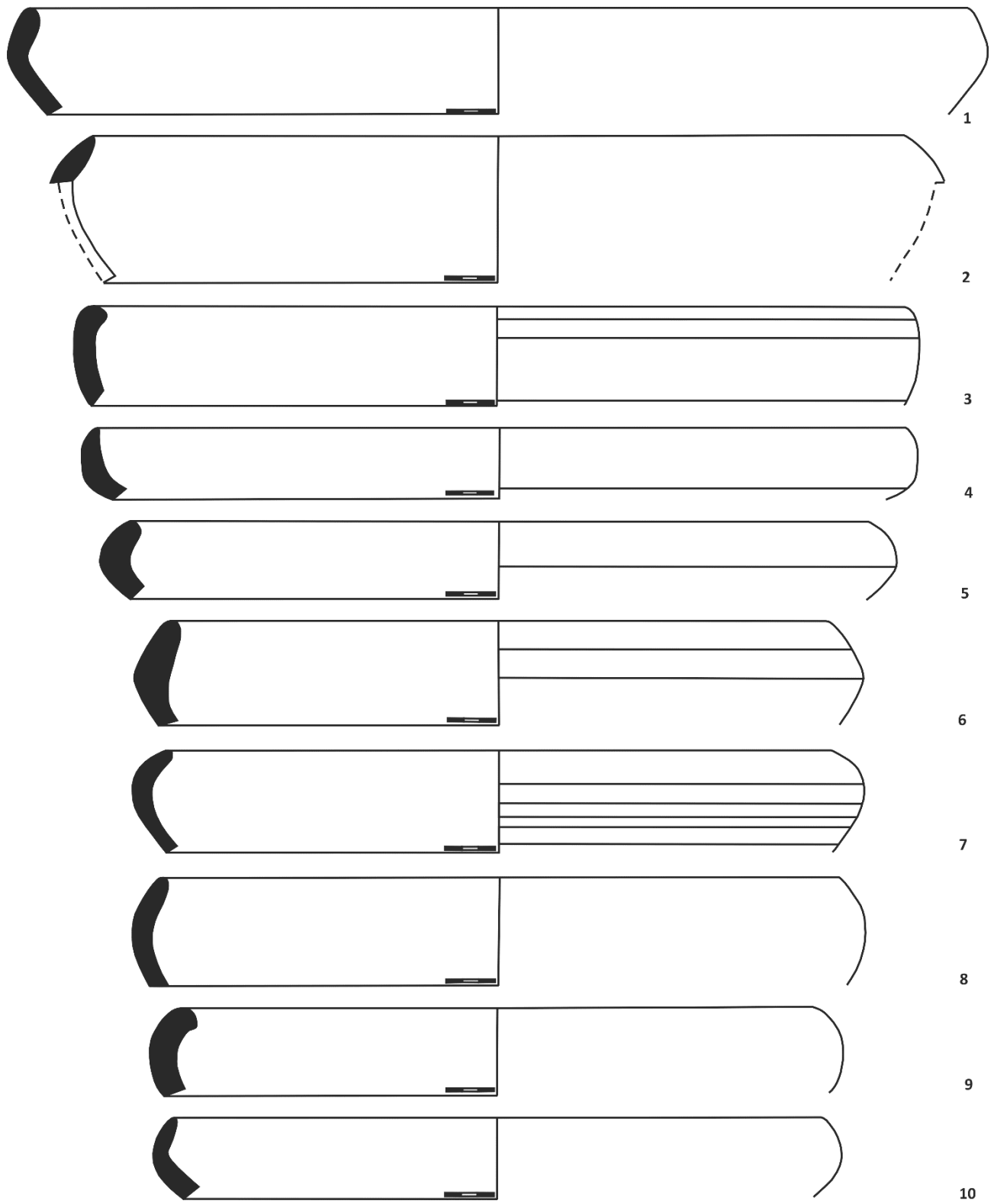


Plate I. Hayes 1 form, type A.

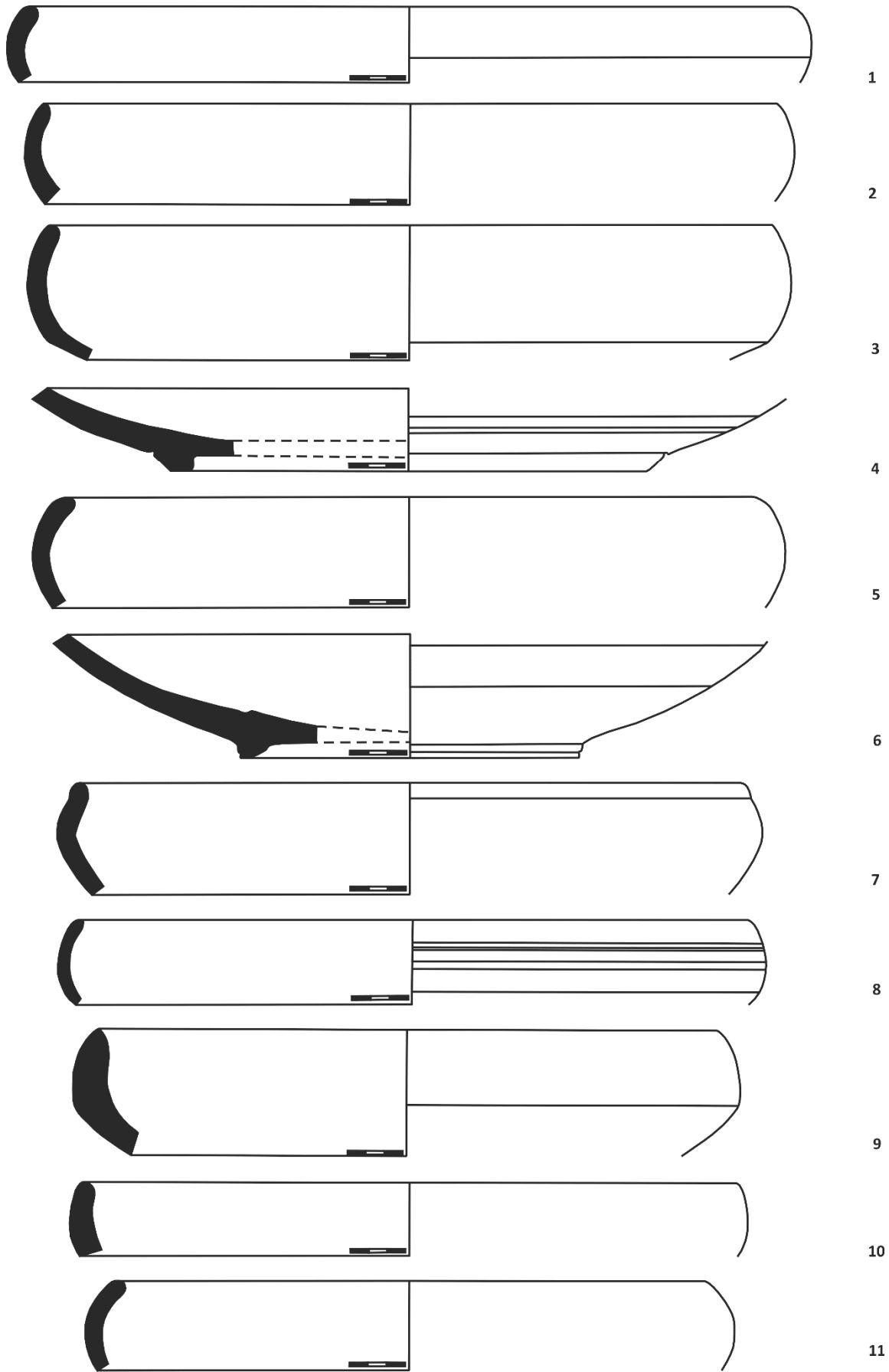
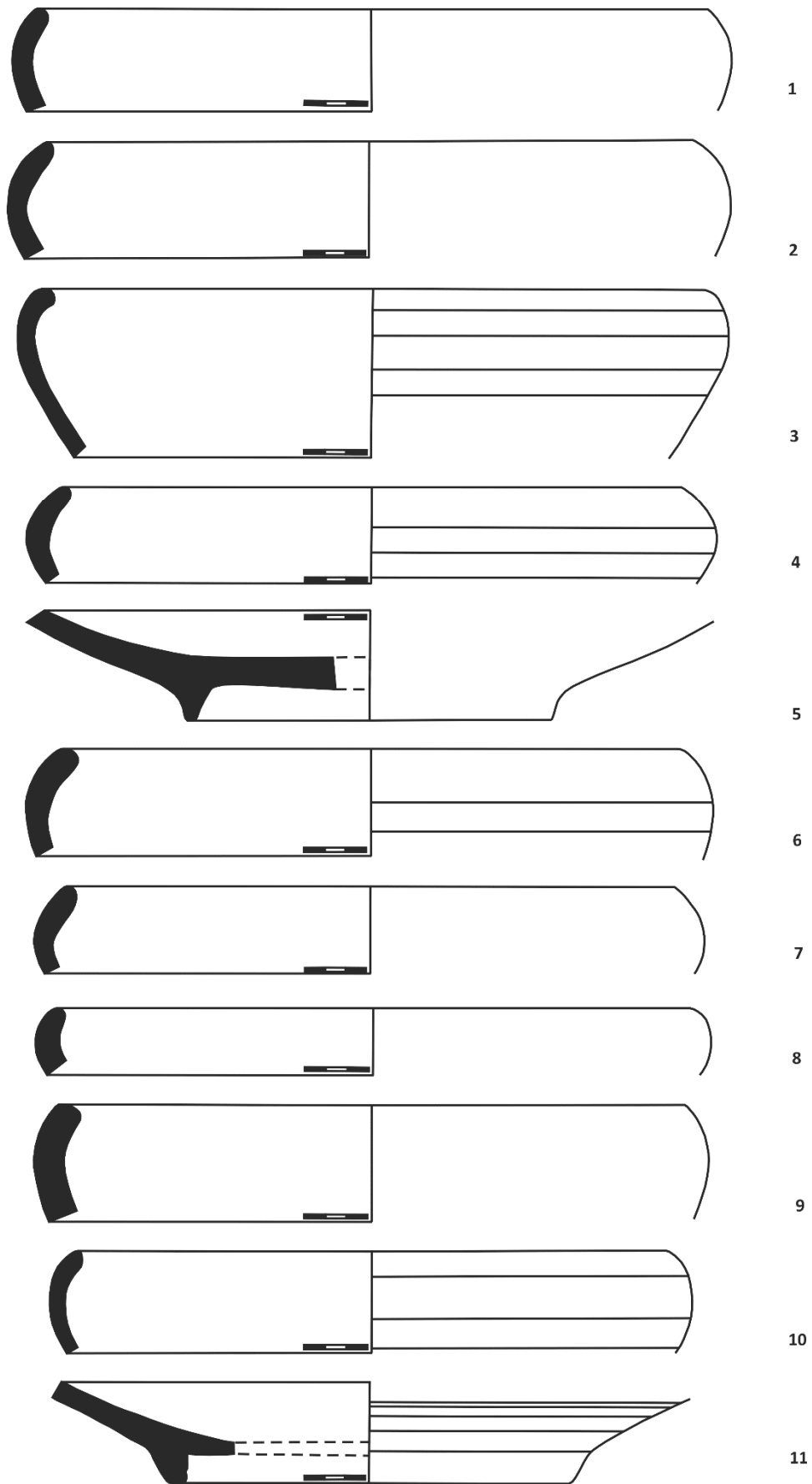


Plate II. Hayes 1 form, type A.



*Plate III. Hayes 1 form, type A.*



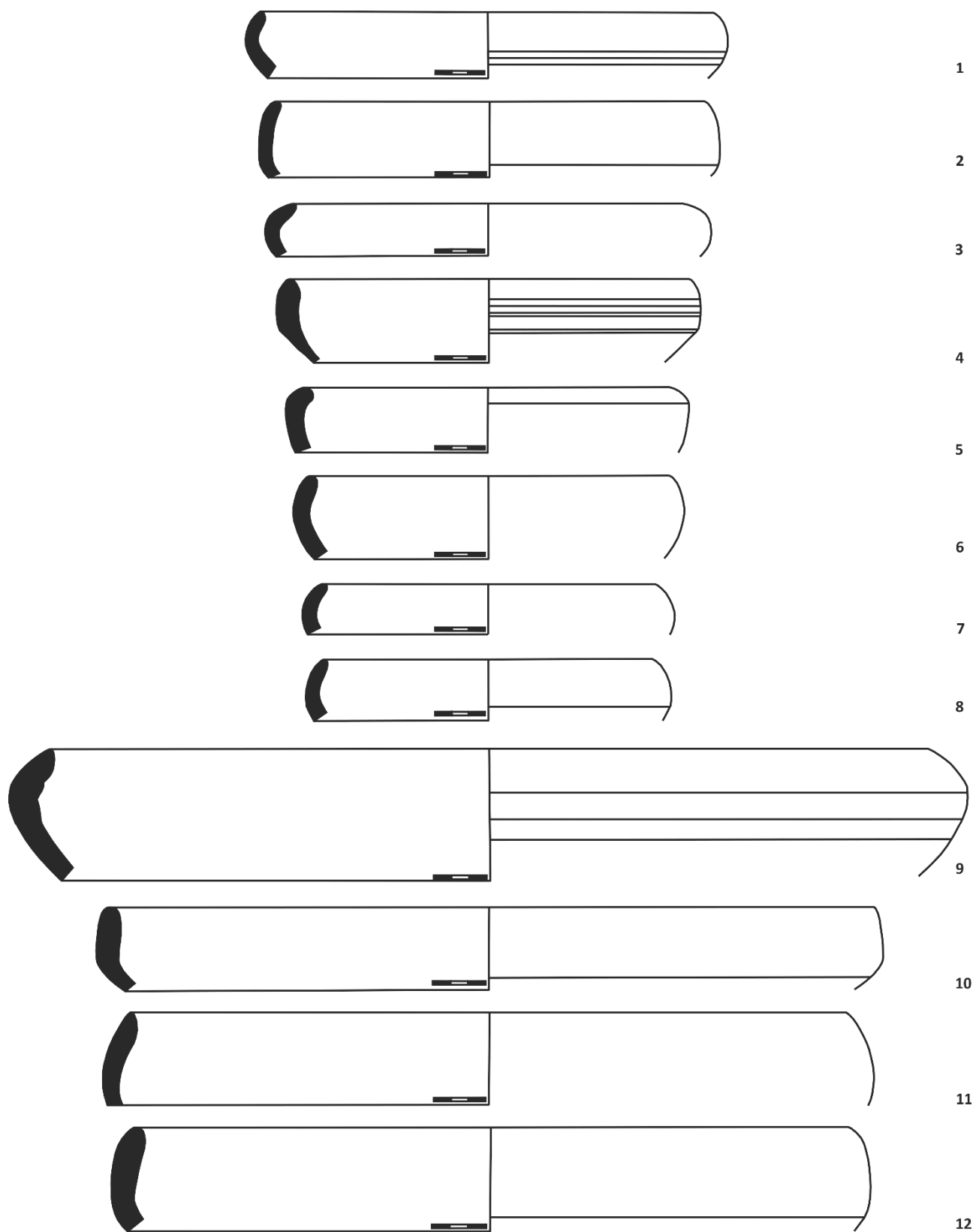


Plate IV. Hayes 1 form: 1-8. type A; 9-12. type B.

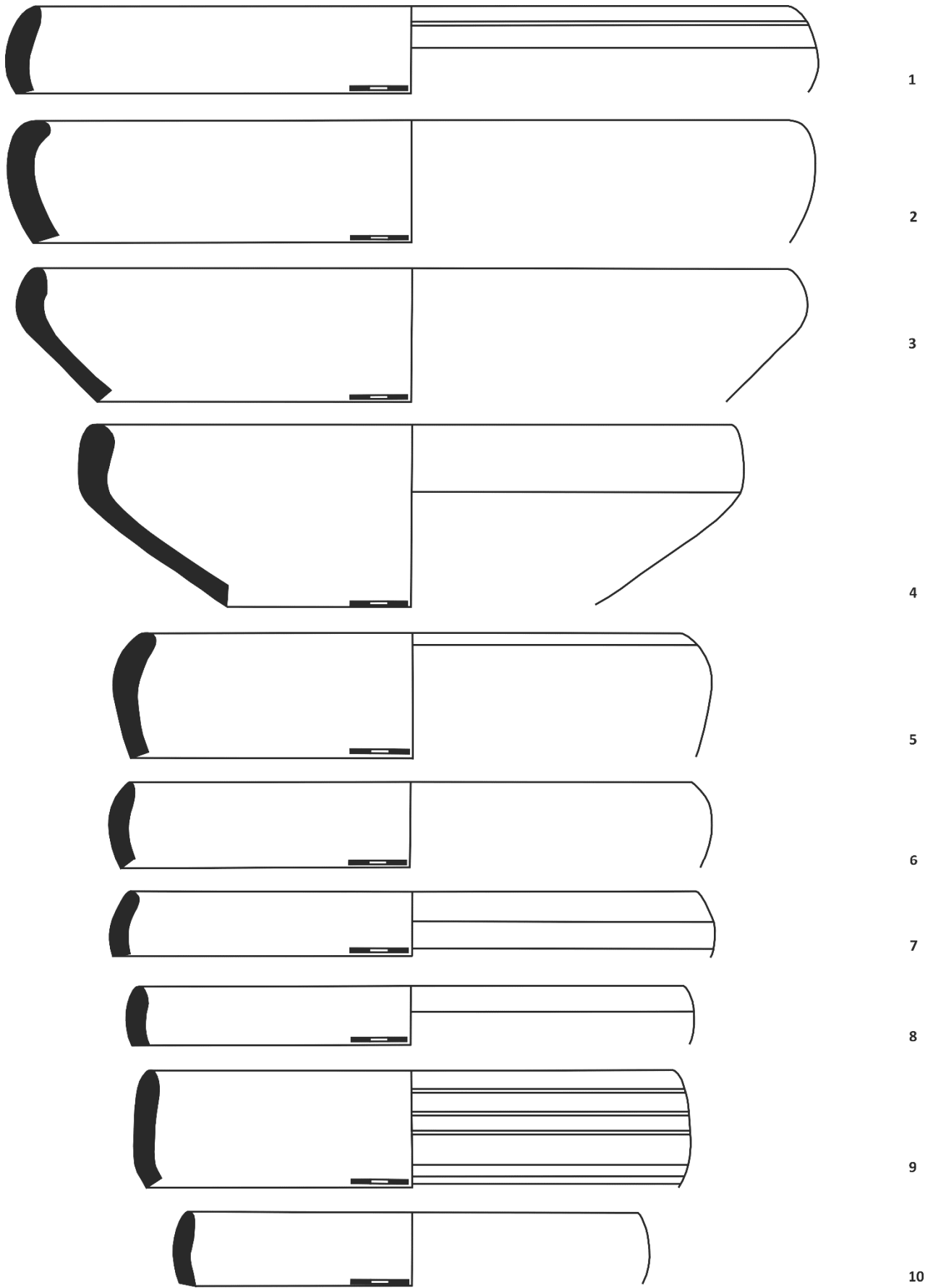


Plate V. Hayes 1 form, type B.

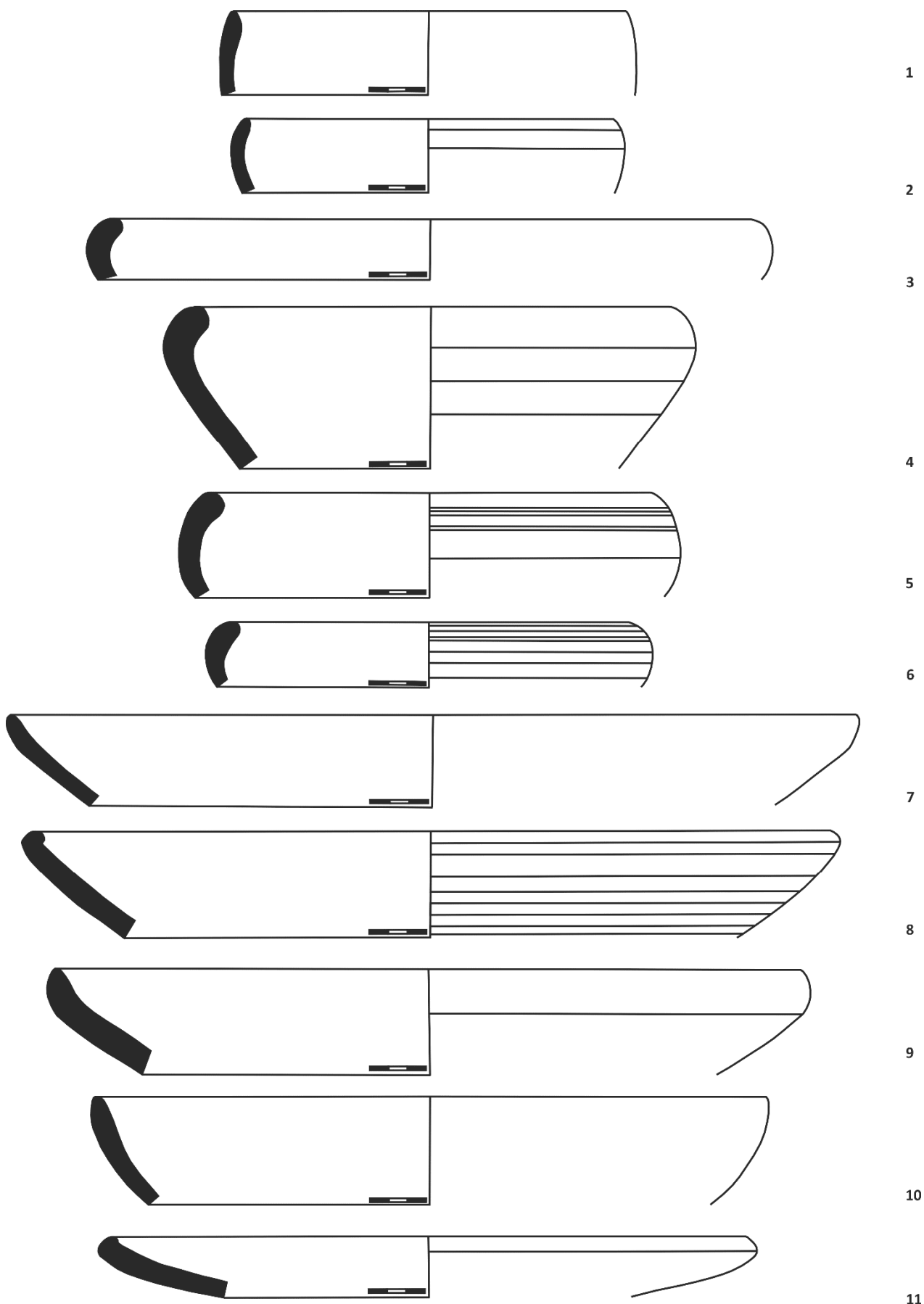
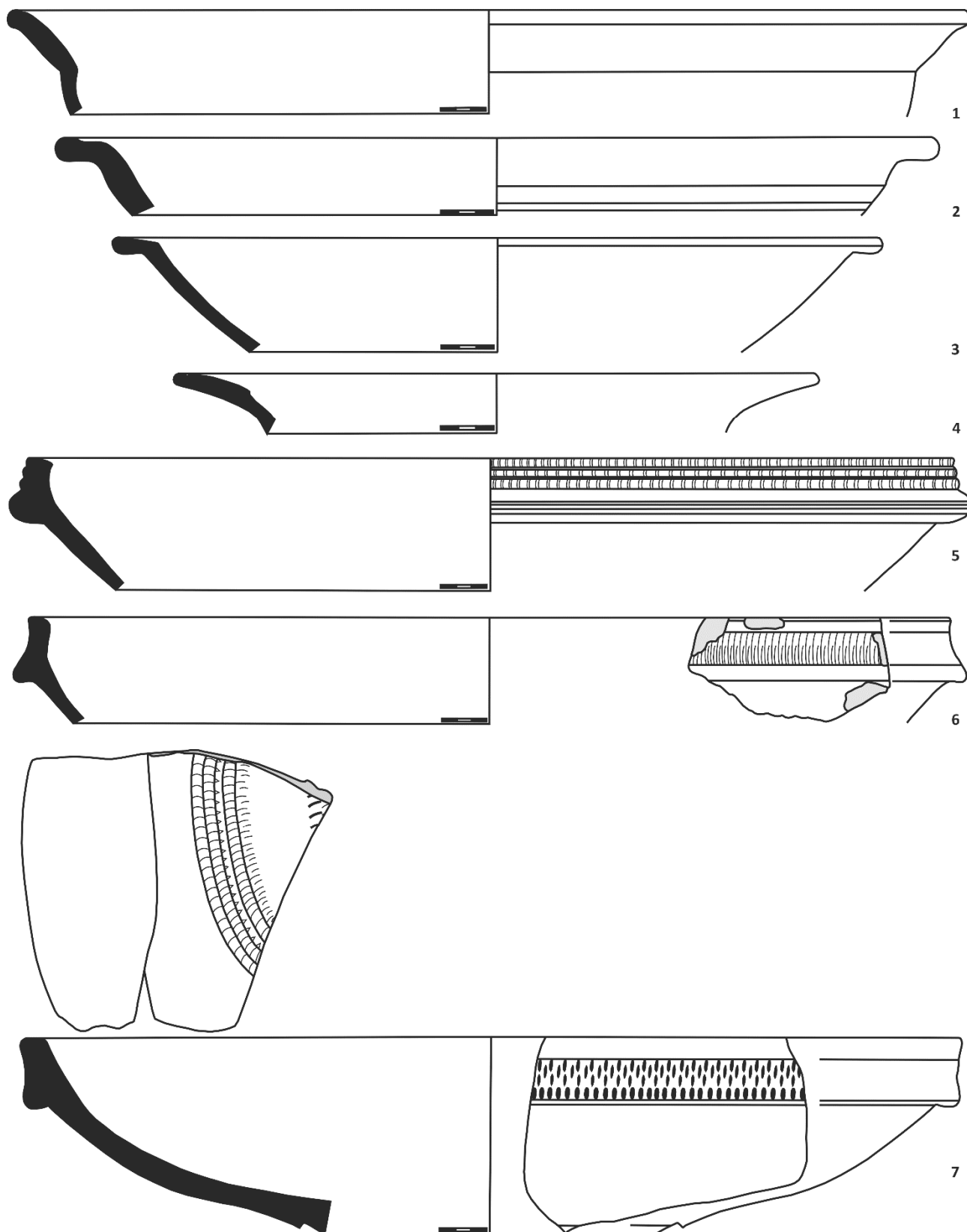


Plate VI. Hayes 1 form: 1–2. type B; 3–6. type C; 7–11. type D.



**Plate VII.** Hayes 2 form: 1. type A; 2–4. type B; Hayes 3 form: 5–7. type E.

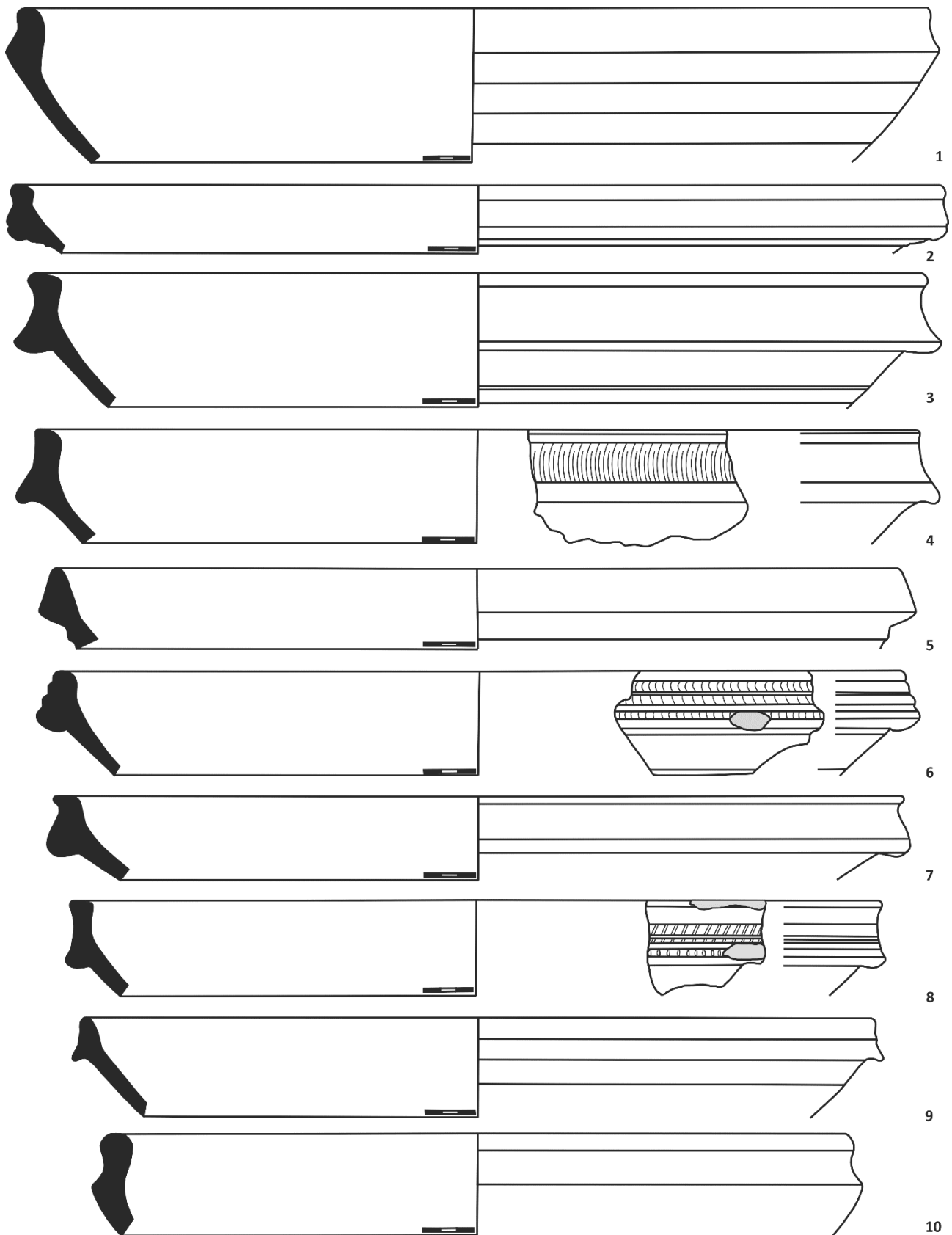


Plate VIII. Hayes 3 form, type E.

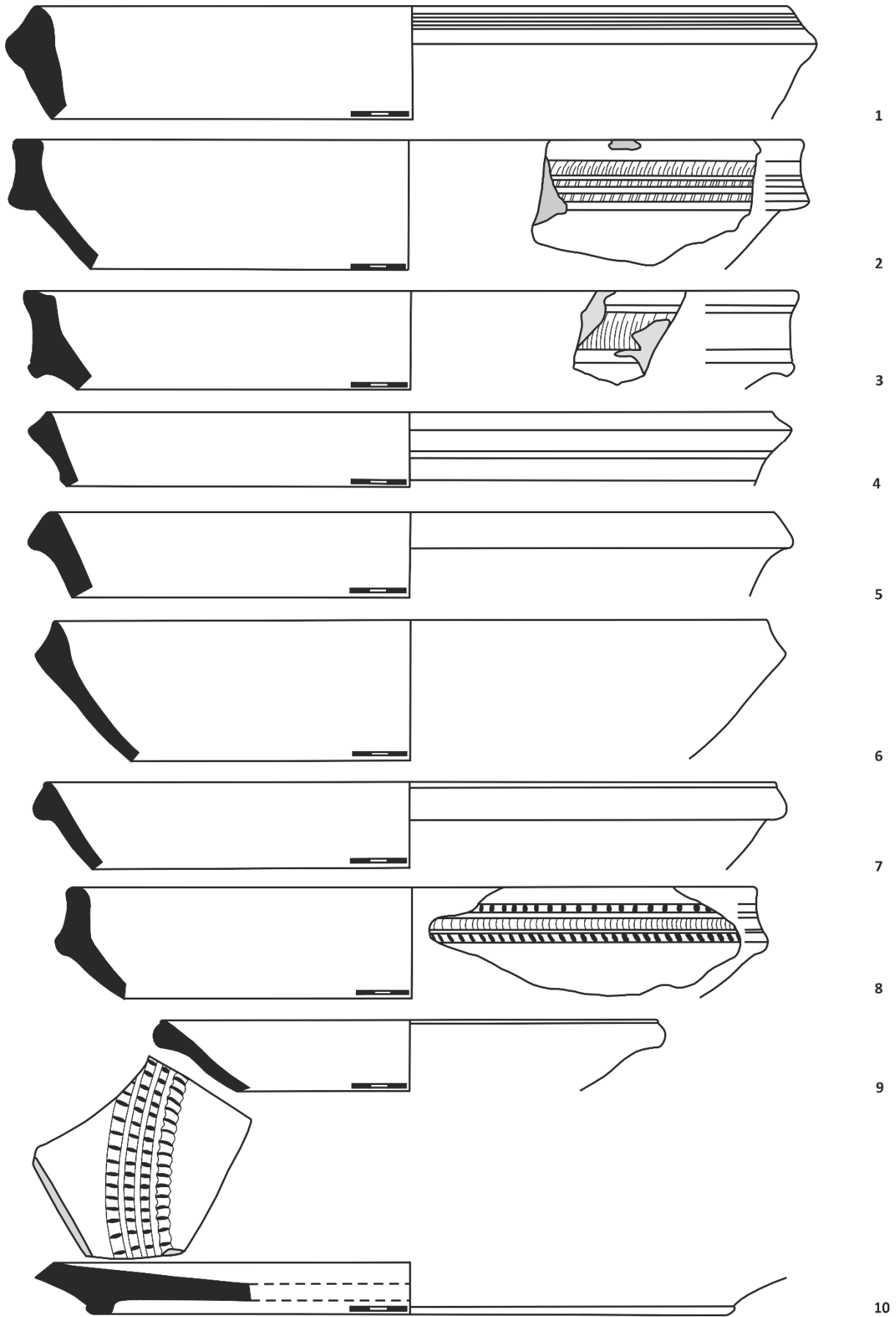


Plate IX. Hayes 3 form, type E.

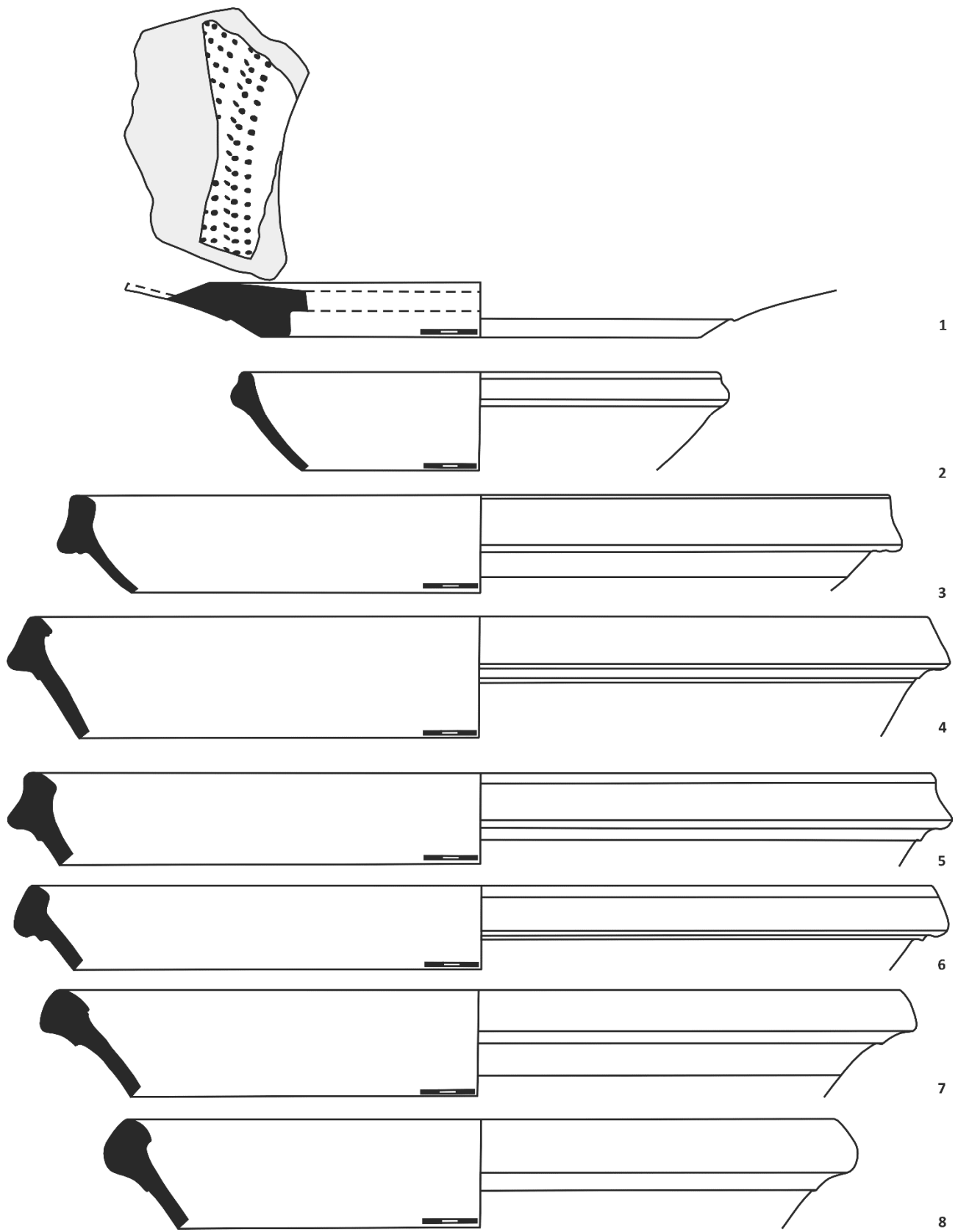
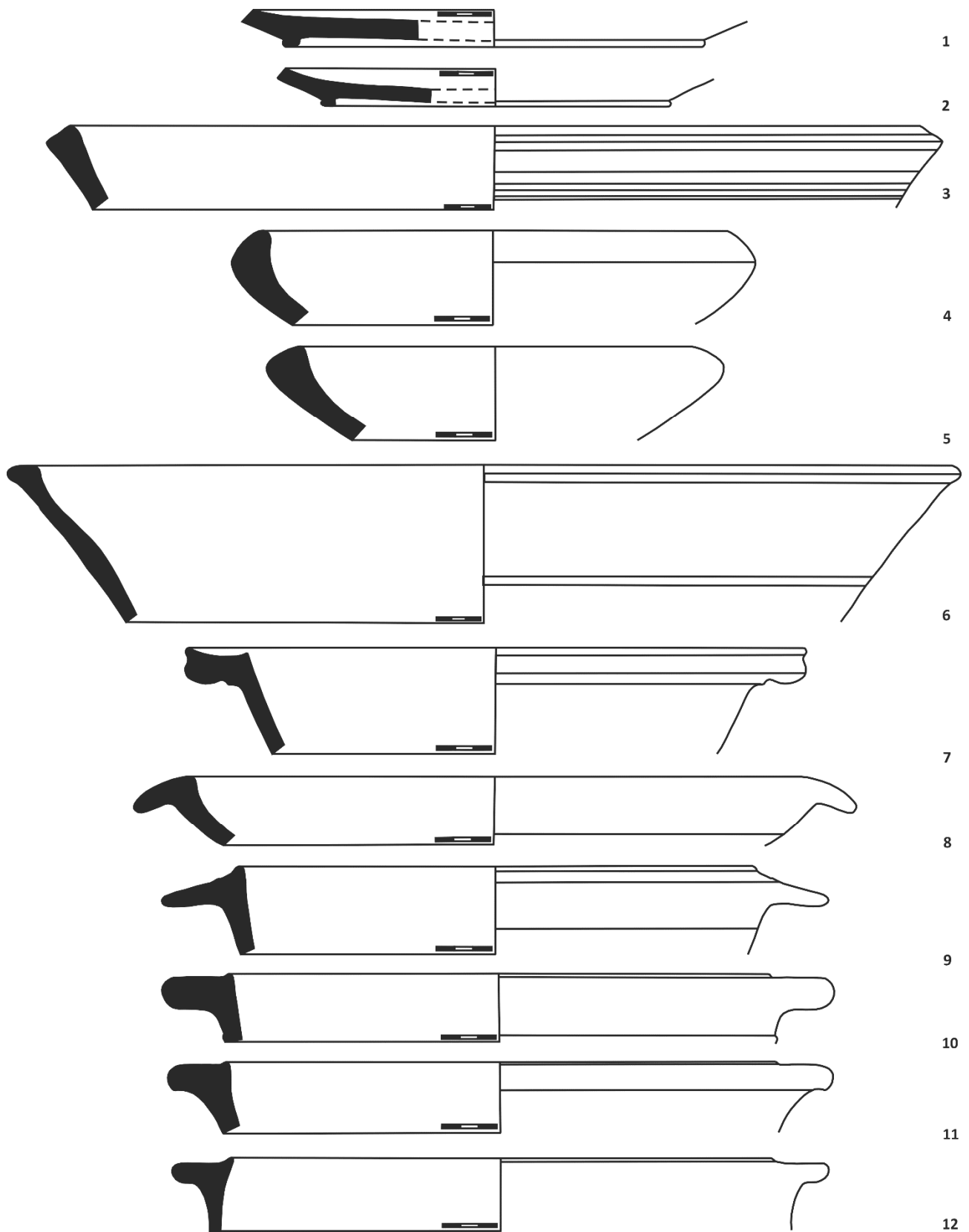


Plate X. Hayes 3 form: 1–2. type E; 3. type F; 4–8. type G.



*Plate XI.* 1–2. Hayes 3 form, type G; 3–5. Hayes 4 form; 6. Waagé 932 f form; 7. Hayes 5 form, type B; 8–12. Hayes 6 form.



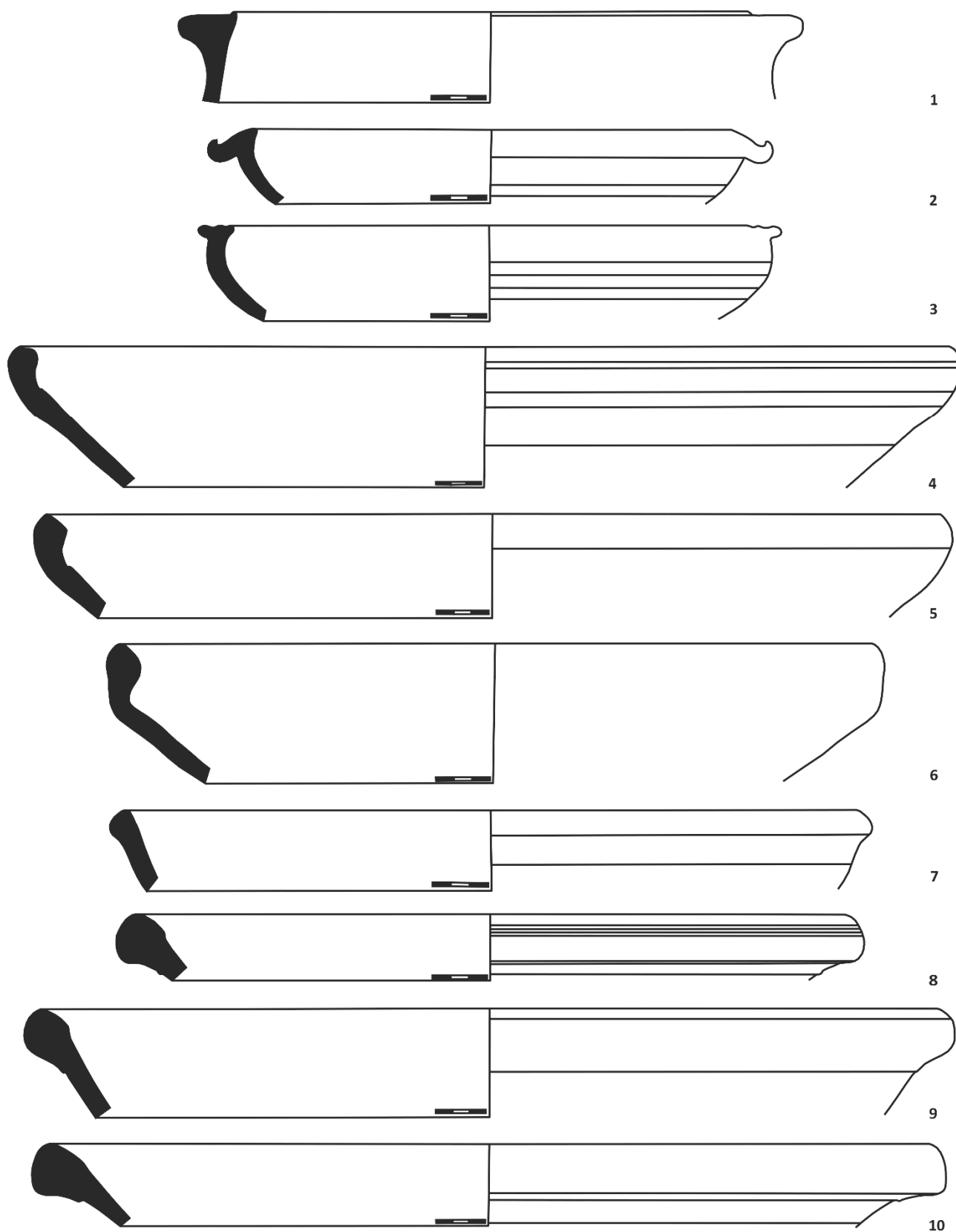


Plate XII. 1–2. Hayes 6 form; 3. Hayes 8 form; 4–6. Abadie-Reynal/Sodini CF 183 form; Hayes 10 form: 7–8. type A; 9–10. type B.

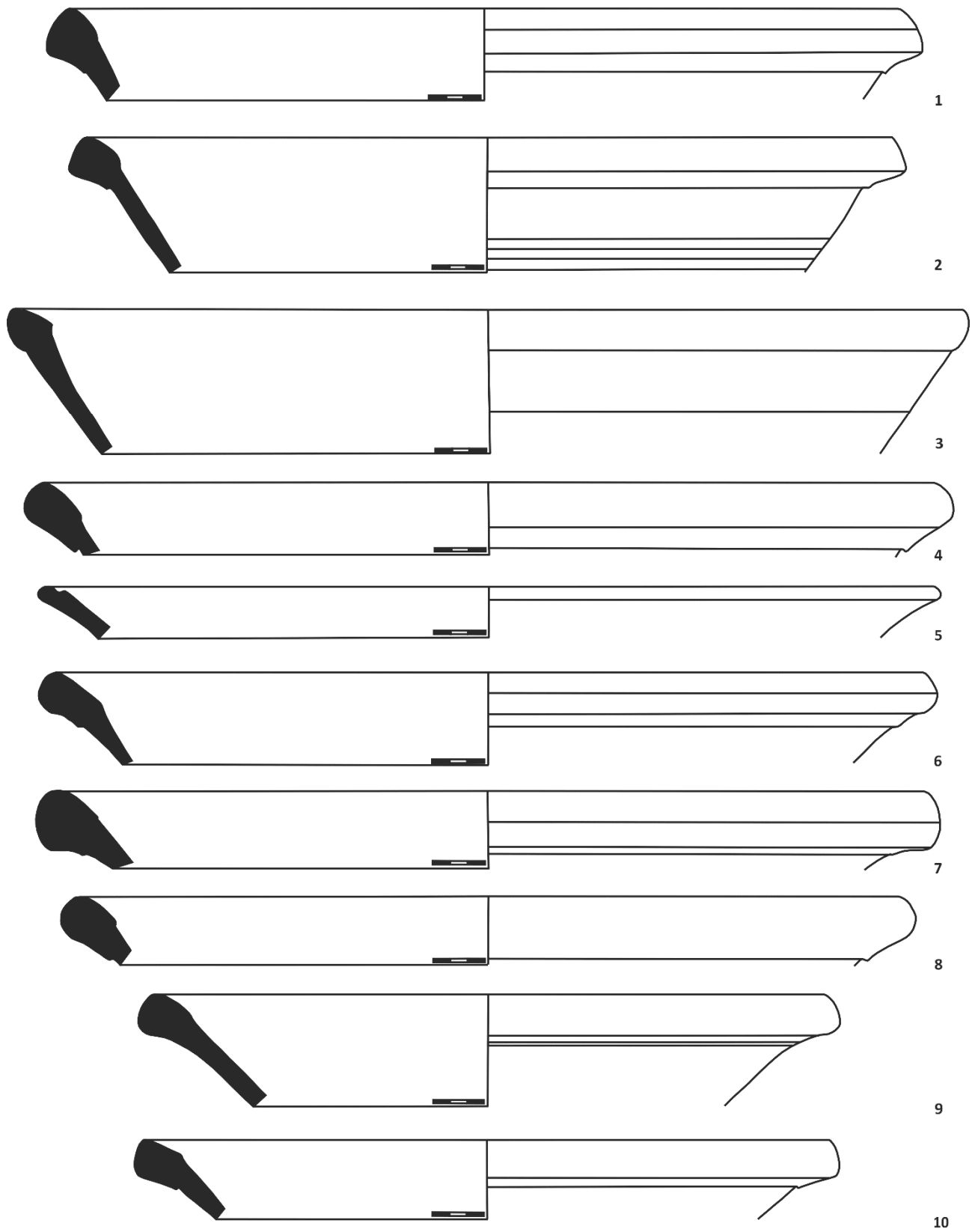


Plate XIII. Hayes 10 form: 1–2. type B; 3–10. type C.

## ABRÉVIATIONS / ABBREVIATIONS / ABREVIERI

- AA – Archäologischer Anzeiger. Deutsches Archäologisches Institut, Darmstadt, München, Tübingen–Berlin  
Acta MN – Acta Musei Napocensis Cluj-Napoca  
ActaMP – Acta Musei Porolissensis, Zalău  
AJA – American Journal of Archaeology, Boston  
Altertum – Das Altertum, Deutsche Akademie der Wissenschaften zu Berlin Sektion für Altertumswissenschaft  
Akademie der Wissenschaften der DDR Zentralinstitut für Alte Geschichte und Archäologie, Berlin  
AnB – Analele Banatului, Muzeul Banatului, Timișoara  
Antiquity – Antiquity. A Review of World Archaeology, Durham, UK  
ArchBulg – Archaeologia Bulgarica, Sofia  
AIGR – Anuarul Institutului Geologic al României, București  
AIIA Cluj – Anuarul Institutului de Istorie și Arheologie, Cluj-Napoca  
AM – Mitteilungen des Deutschen Archäologischen Instituts, Athenische Abteilung  
Apulum – Acta Musei Apulensis. Muzeul Național al Unirii, Alba Iulia  
ArchKorr – Archäologisches Korrespondenzblatt, Mainz  
Argesis – Argesis. Muzeul Județean Argeș. Pitești  
ArhMold – Arheologia Moldovei, Iași  
BA – Biblioteca de Arheologie, București  
BAI – Bibliotheca Archaeologica Iassiensis, Iași  
BARIntSer – British Archaeological Reports. International Series, Oxford  
BCȘS – Buletinul Cercurilor Științifice Studentești. Arheologie – Istorie – Muzeologie, Alba-Iulia  
BICS – Bulletin of the Institute of Classical Studies of the University of London, London  
Bjb – Bonner Jahrbücher des Rheinischen Landesmuseums in Bonn, Bonn  
BMA – Bibliotheca Memoriae Antiquitatis, Piatra-Neamț  
BMJT – Buletinul Muzeului Județean Teleorman, Alexandria  
BMMN – Buletinul Muzeului Militar Național, București  
BMTA Giurgiu – Buletinul Muzeului „Teohari Antonescu”, Giurgiu  
BPS – Baltic-Pontic Studies, Poznań  
Britannia – Britannia. A Journal of Roman-British and Kindred Studies. Society for the Promotion of Roman Studies, Cambridge  
BSA – British School at Athens, Athens  
BSPF – Bulletin de la Société Préhistorique Française, Paris  
CA – Cercetări Arheologice, București  
Carpica – Carpica. Complexul Muzeal „Iulian Antonescu” Bacău, Bacău  
Carst – Cercetare, explorare, Actualitatea speo, Recenzii, editorial, Știință, Tehnică, Cluj-Napoca  
CCA – Cronica Cercetărilor Arheologice din România, București  
CCDJ – Cultură și Civilizație la Dunărea de Jos, Călărași  
CEFR – Collection de l'École Française de Rome  
CercIst – Cercetări Istorice, Iași  
Dacia – Dacia (Nouvelle Série). Revue d'archéologie et d'histoire ancienne. Académie Roumaine. Institut d'archéologie « V. Pârvan », Bucarest  
Documenta Praehistorica – Documenta Praehistorica, University of Ljubljana, Faculty of Arts, Department of Archaeology  
EphemNap – Ephemeris Napocensis. Academia Română, Institutul de Arheologie și Istoria Artei, Cluj-Napoca  
ERAUL – Études et Recherches archéologiques de l'Université de Liège  
ÉtThas – Études thasiennes, École Française d'Athènes, Athènes-Paris  
EurAnt – Eurasia Antiqua. Deutsche Archäologisches Institut, Berlin  
GodišnikSofia – Godišnik na Sofijaskija Universitet „Sv. Kliment Ochridski”, Istoriceskij fakultet, Sofia  
Hesperia – Hesperia. Journal of the American School of Classical Studies at Athens, Cambridge  
IFAO – Institut français d'archéologie orientale, le Caire  
JAS – Journal of Archaeological Science

Kernos – Revue internationale et pluridisciplinaire de religion grecque antique, Liège  
Marisia – Marisia. Studii și materiale. Arheologie – Istorie – Etnografie, Târgu Mureș  
MemAnt – Memoria Antiquitatis, Piatra Neamț  
MCA – Materiale și Cercetări Arheologice, București  
OLBA – Mersin University Publications of the Research Center of Cilician Archaeology, Mersin, Turkey  
Paléo – Paléo. Revue d'Archéologie Préhistorique, Les Eyzies, France  
Peuce – Peuce, Studii și cercetări de istorie și arheologie, Institutul de Cercetări Eco-Muzeale, Tulcea  
Pontica – Pontica. Studii și materiale de istorie, arheologie și muzeografie, Muzeul de Istorie Națională și Arheologie  
Constanța  
Quartär – International Yearbook for Ice Age and Stone Age Research  
RCRFAcra– Rei Cretariae Romanae Fautorum  
RE – Realenzyklopädie: Paulys realenzyklopädie der klassischen Altertumswissenschafts, Stuttgart, 1893  
RI – Revista Istorică. Academia Română, Institutul de Istorie „Nicolae Iorga”, București  
RESEE – Revue des Études Sud-Est Européennes. Academia Română, Institutul de Studii Sud-Est Europeene, București  
RevBistr – Revista Bistriței. Complexul Muzeal Bistrița-Năsăud, Bistrița  
SAA – Studia Antiqua et Archaeologica, Iași  
SCIV(A) – Studii și Cercetări de Istorie Veche (și Arheologie), București  
SlovArch – Slovenská Archeológia, Nitra  
SMMIM – Studii și Materiale de Muzeografie și Istorie Militară, București  
SP – Studii de Preistorie, București  
Suceava – Suceava. Anuarul Muzeului Bucovinei, Suceava  
Th-D – Thraco-Dacica, București  
Transylvanian Review – Transylvanian Review. Centrul de Studii Transilvane, Cluj-Napoca  
Tyragetia – Tyragetia. Anuarul Muzeului Național de Istorie a Moldovei, Chișinău  
VT – Vetus Testamentum